

HOSPITAL TROLLEYS



ROLLCO

SPECIALIZED
ON LINEAR MOTION



Img. 1

Every care has been taken to ensure the accuracy of the information contained in this catalogue, but no liability can be accepted for any errors or omissions. We reserve the right to make changes without prior notice.

Any reproduction, even partial, is allowed only by written permission by Rollco.

Index

PRODUCT OVERVIEW	4
Rollco Hospital Trolleys	4
Features	4
Standard Trolleys	4
Special Applications	5
STANDARD TROLLEYS	6
Trolley Types	6
Drawers	7
ACCESSORIES	8
SELECTION GUIDE	10
Calculating trolley size	10
ORDER CODE	11

Rollco Hospital Trolleys

Rollco hospital trolleys can be fully customised to meet the specific demands of each hospital ward. Most of them have been developed in close co-operation with health care personnel. One of the most important features of our trolleys are that they are easy to clean and disinfect. The material is durable and withstands all types of cleaning agents and disinfectants.

All trolleys are manufactured in our workshop i Helsingborg, Sweden. We have a couple standard trolleys available for testing. We can also, on demand, provide prototypes to assure that all requirements are met. We offer a wide range of colours and accessories.

Please contact us with questions or requests. We will help find the right solution for you.

Features

- All surfaces can be cleaned with disinfectants.
- Made from anodized aluminium and antistatic laminate.
- Smooth-running and lockable wheels.
- Available in various colors.
- Versatile storage options and variable number of drawers and doors, lockable as option.
- Fully extendable with self-closing and soft closing drawers and doors.
- All sides can be mounted with hooks and brackets for different accessories.
- Many accessories available, such as pull-out tray etc.

Standard Trolleys



Img. 2



Img. 3

Special Applications



Img. 4



Img. 5



Img. 6



Img. 8



Img. 7



Img. 9



Img. 10



Img. 11

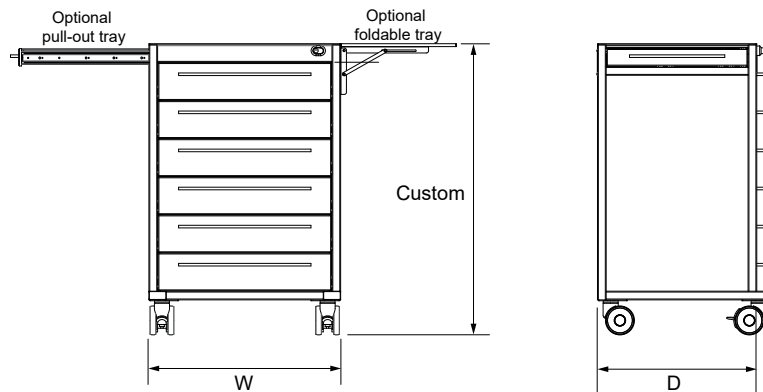


Img. 12

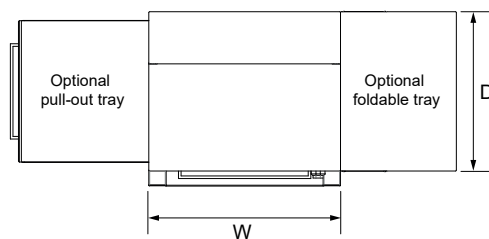
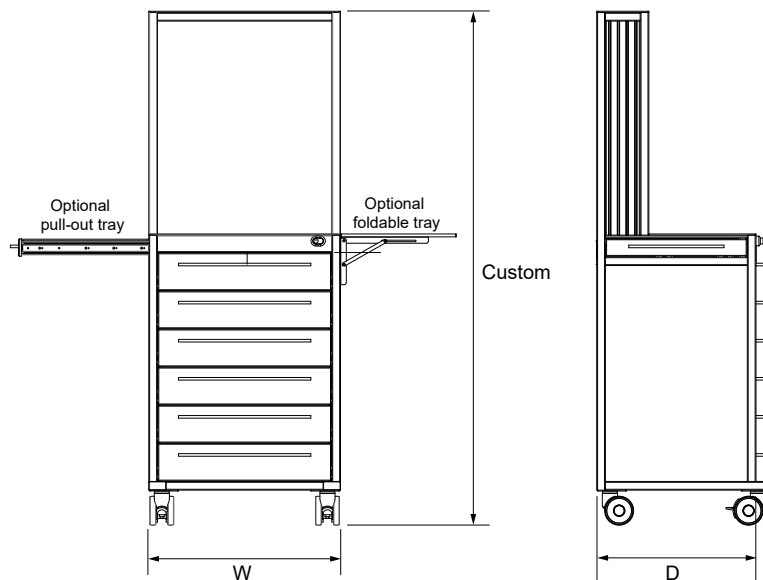
Trolley Types

Rollco hospital trolleys are available in two standard models, short and tall. We can also develop trolleys with other dimensions and features upon request. Width and depth measurements below apply to the standard models. Height and number of drawers are always customised. Side drawer, side shelf and lock are optional and can be placed either on the left or right side.

Short



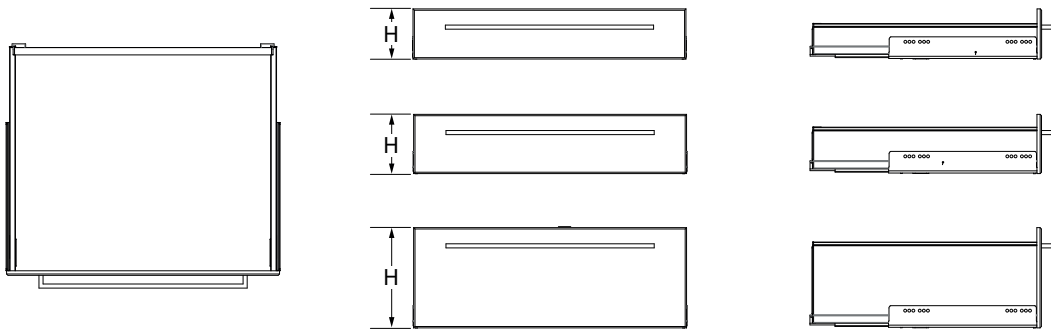
Tall



Note! All work surfaces are grey (0074) as standard.

Width	Depth	Height
500 or 662 mm	450, 500 or 550 mm	Custom

Drawers



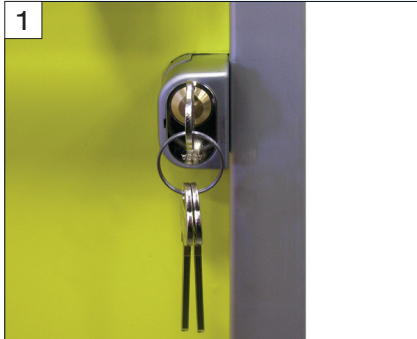
Type	Min Height w Lock	Min Height w/o Lock
N (Low) Top Drawer	110	95
N (Low) Other Drawers	100	80
M (Med)	130	110
C (Tall)	220	200

Colours

We offer seven standard colours, but other colours are available upon request.



Accessories



1 Manual lock side with individual key number (single drawer)



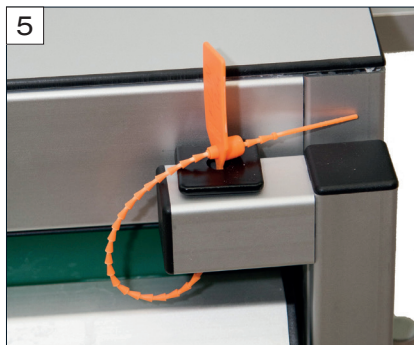
2 Manual lock front with individual key number (multiple drawers)



3 Digital card lock (single drawer)



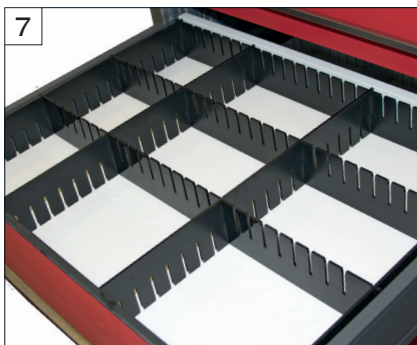
4 Digital card lock (multiple drawers)



5 Lock for anti-tamper seals



6 Drawer organisers in aluminium



7 Drawer organisers in plastic



8 Shelf in stainless steel



9 Pull out tray



10 Foldable tray



11 Tilting bins (3, 4 or 5 bins per row)



12 Waste disposal holder (box not included)



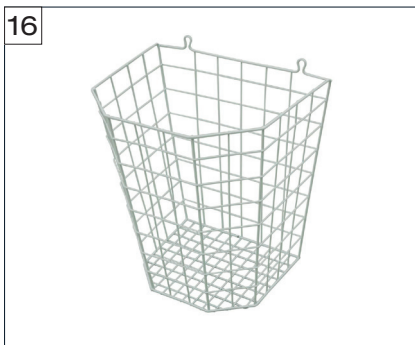
13 Holder for soap and alcoholic hand gel (soap/gel not included)



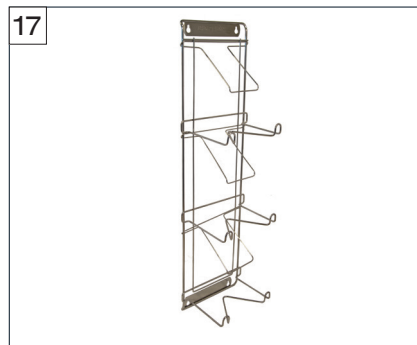
14 Handles



15 IVA rail



16 Waste basket, white painted steel



17 Glove box holder (for 3 or 4 boxes)



18 IV holder



19 Cardiac massage board

Selection Guide

- Where will the trolley be used and what do I need to store in the trolley? Do I, for example, need to store lots of medicines in an operating room? Or do I need a large surface to work on?
- How many drawers do I require?
- What size drawers do I need? How tall are the tallest items I wish to store?
- How high will my trolley be?
- Do I need to be able to lock any of the drawers?
- Do I want drawer organisers?
- Do I want pull-out and/or foldable trays? Please note that lock and pull out tray cannot exist on the same side of the trolley.
- Do I need a tall trolley, with a back for extra storage?
- Do I need to be able to fit items in the alcove?
- Which colours and accessories do I want?

Calculating trolley size

1. What width and depth do I need?

Example: 500 mm width and 450 mm depth.

2. How many drawers do I need?

Example: 4 drawers

3. Calculate the height of each drawer by adding 50 mm to the tallest item you wish to store in the drawer. Round up the measurement to the nearest 10th mm.

Example:

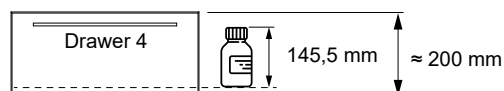
Tallest item is a medicine bottle that is 145,5 mm.

Add 50 mm

$$\begin{array}{r} 145,5 \\ + 50,0 \\ \hline 195,5 \end{array}$$

Round it up to the nearest 10th

$$\approx 200,0$$



4. Calculate the total height of the trolley by adding the measurements of all the drawers. The top drawer needs 3 mm of space and the following drawers need 1,5 mm of space. Then add 215 mm, which is the total height of wheels, top board etc. Please see table on page 7 for drawer types and minimum heights.

Example:

Drawer 1 (120 mm drawer height + 3 mm) 123,0

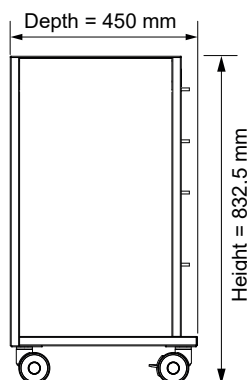
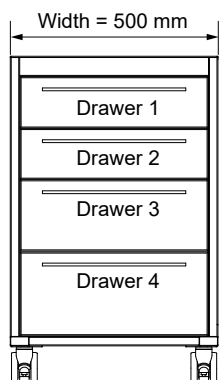
Drawer 2 (120 mm drawer height + 1,5 mm) 121,5

Drawer 3 (170 mm drawer height + 1,5 mm) 171,5

Drawer 4 (200 mm drawer height + 1,5 mm) 201,5

Fix measure

$$\begin{array}{r} 123,0 \\ 121,5 \\ 171,5 \\ 201,5 \\ + 215,0 \\ \hline 832,5 \end{array}$$



Hospital Trolley

HTS - 662 - 500 - PL - FR - DR - 5

Type

S = Short

T = Tall

Width

500 or 662 mm

Depth

450, 500 or 550 mm

Tray 1

P = Pull-out

F = Foldable

R = Right

L = Left

Tray 2

P = Pull-out

F = Foldable

R = Right

L = Left

Lock

D = Digital

K = Key

R = Right

L = Left

No of Drawers

Note: For other dimensions or options, please contact Rollco.

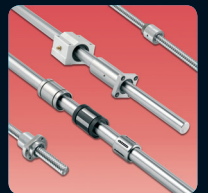
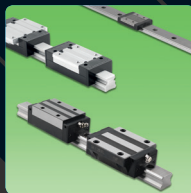
Rollco AB
Box 22234
Ekvändan 3
250 24 Helsingborg
Sweden
Tel. +46 42 150040
Fax +46 42 150045
www.rollco.se

Rollco A/S
Ladegårdsvej 2
7100 Vejle
Denmark
Tel. +45 7552 2666
Fax +45 7552 0708
www.rollco.dk

Rollco Oy
Sarankulmankatu 12
33900 Tampere
Finland
Tel. +358 207 57 97 90
Fax +358 207 57 97 99
www.rollco.fi

Rollco Norge AS
Industrigata 6
3414 Lierstrada
Norway
Tel. +47 32 84 00 34
Fax +47 32 84 00 91
www.rollco.no

Rollco Taiwan
No. 28, Lane 125, Da-an Road
Shulin District 238
New Taipei City, Taiwan
Tel. +886-2-8687-2726
Fax +886-2-8687-2720
www.rollco-tw.com



ROLLCO
SPECIALIZED
ON LINEAR MOTION