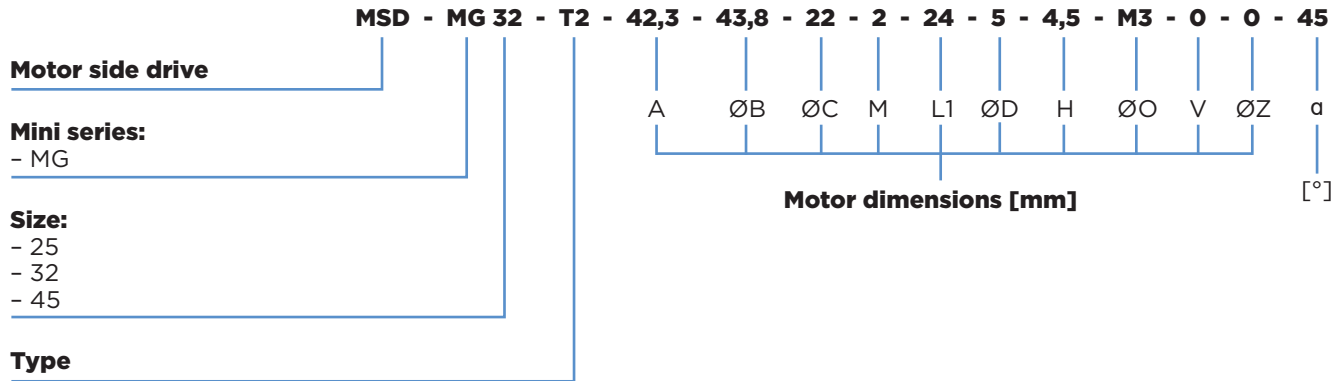
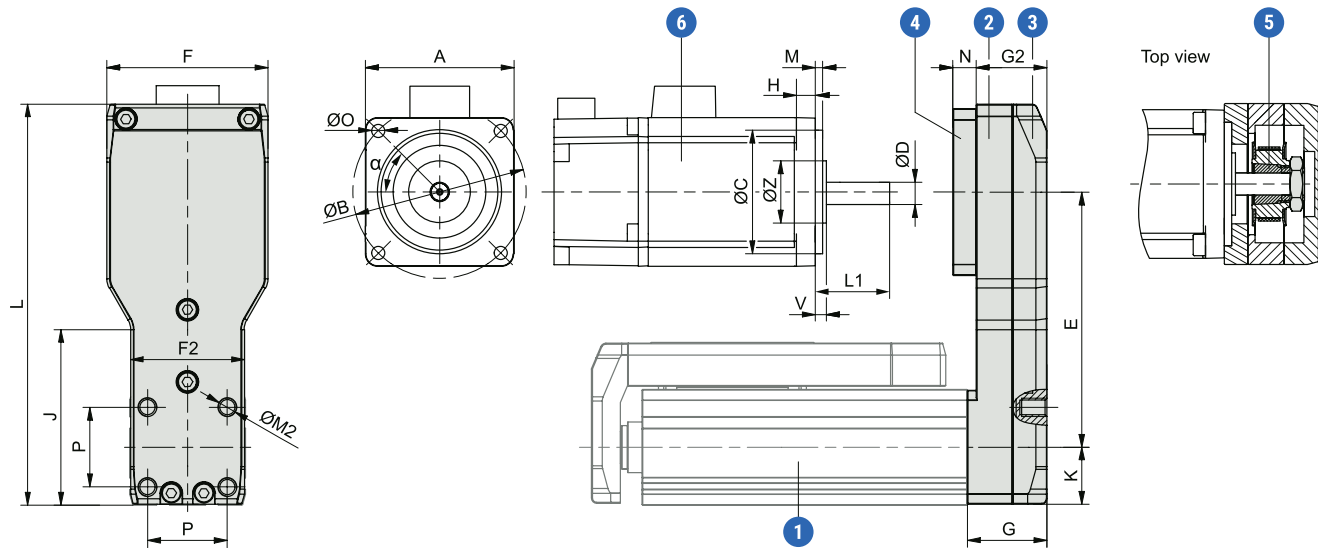


MOTOR SIDE DRIVE MSD WITH A TIMING BELT

Order code



Dimension ØO is also used for tapped holes. In case of tapped holes, prefix M must be applied.



- 1 - MCE/MSCE
 - 2 - Motor side drive housing
 - 3 - Motor side drive cap
 - 4 - Motor side drive tensioning plate
 - 5 - Clamping set
 - 6 - Motor
- } Motor side drive MSD