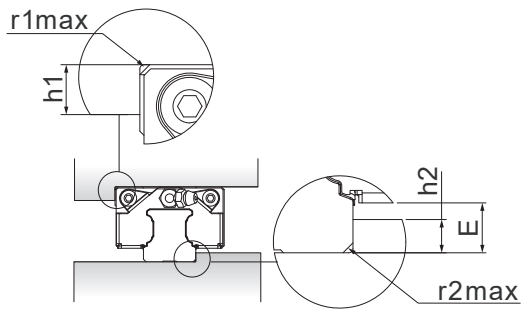


Dimension of Reference Edge

To ensure the linear guide is precisely assembled with machine table, Rollco machines a recess in the reference edge corner. The corner of the machine table must be smaller than the chamfer of the linear guide to avoid interference.



Type	r1max	r2max	h1	h2	E
15	0.5	0.5	4.0	2.5	3.3
20	0.5	0.5	5.0	4.0	5.0
25	1.0	1.0	5.0	5.0	6.0
30	1.0	1.0	6.0	5.5	6.6
35	1.0	1.0	6.0	6.5	7.6
45	1.0	1.0	8.0	8.0	9.3
55	1.5	1.5	10.0	10.0	12.0