

Motor side drive MSD with a timing belt

MSD - MG 32 - T2 - 42,3 - 43,8 - 22 - 2 - 24 - 5 - 4,5 - M3 - 0 - 0 - 45

Motor side drive

Mini series:

- MG

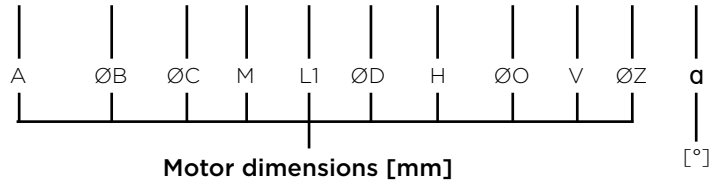
Size:

- 32

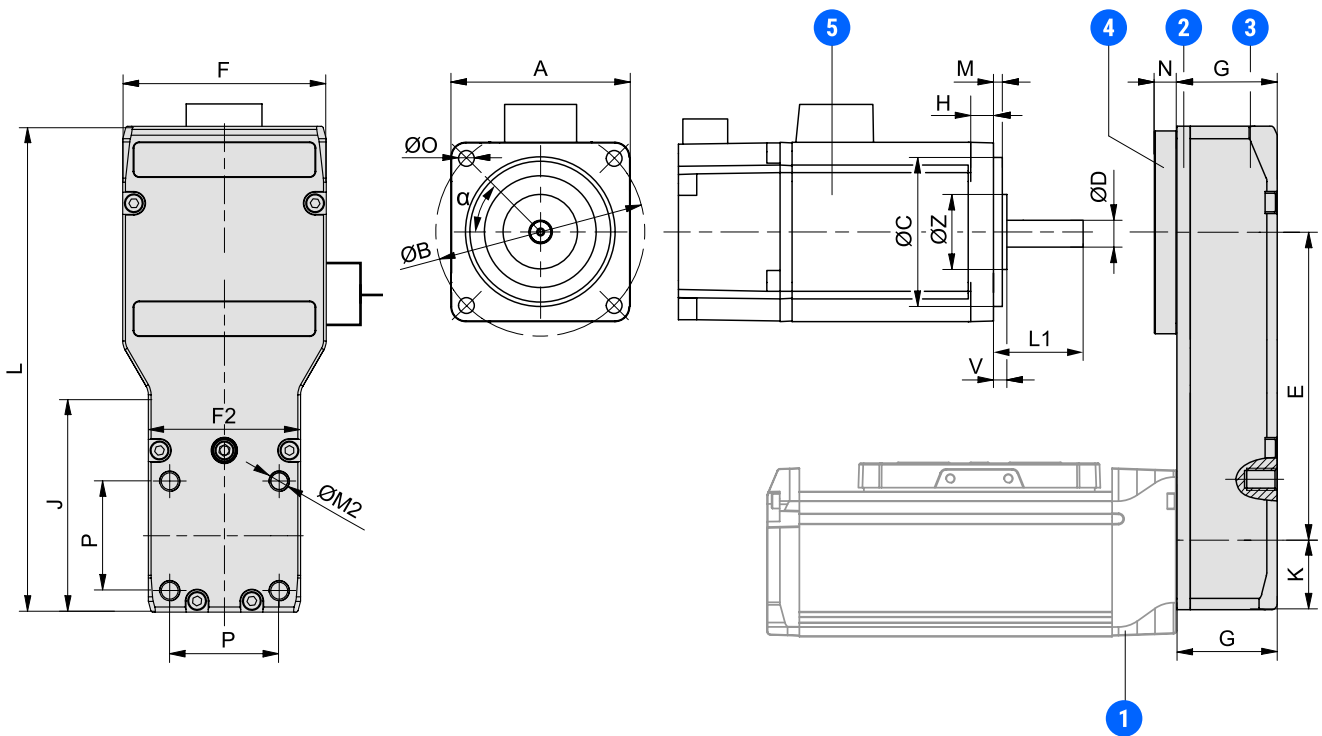
- 45

- 60

Type



Dimension ØO is also used for tapped holes. In case of tapped holes, prefix M must be applied.



1 - MGBS

2 - Motor side drive housing

3 - Motor side drive cap

4 - Motor side drive tensioning plate

5 - Motor

