

## TB40 Double Timing Belt Conveyor

Two synchronised timing belt conveyors in width with end drive. Options such as cleats, false teeth or coated belt. Stand 100% compatible with conveyor available as an option. Inclination or declination of +/- 10° is possible. For dimensions outside our standard range, please contact Rollco.

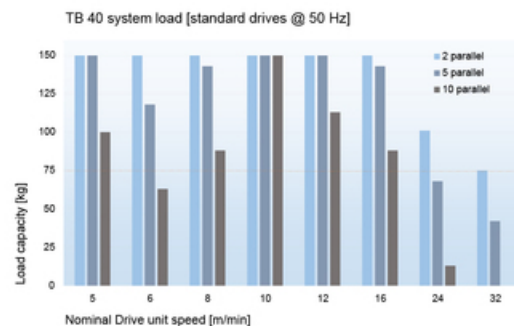
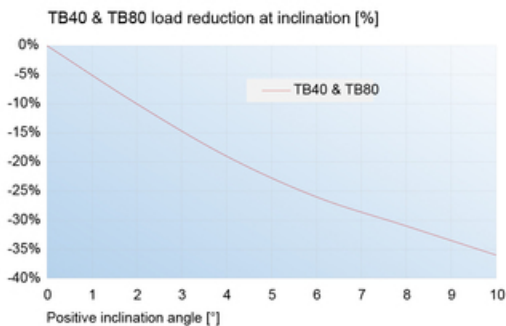
Note: Please see load/speed diagram for current values. Use our CAD configurator to design your timing belt conveyor according to your preferences and get a visual view, download data sheet and CAD files.



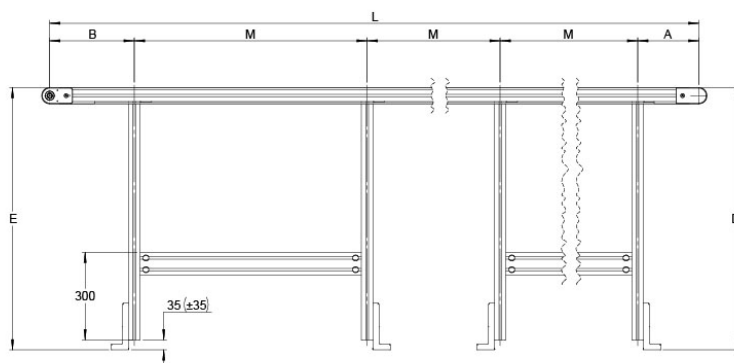
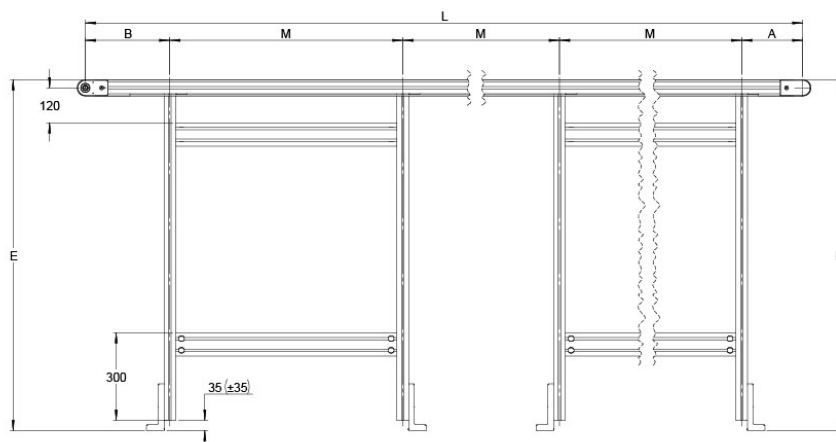
TB40 and TB80 have been extensively tested over its full performance range of speeds, loads, and lengths, together with our standard drive units.

Declaration of installation of partly completed machinery according to Directive 2006/42/EC Annex II 1B. Dimensions in mm.

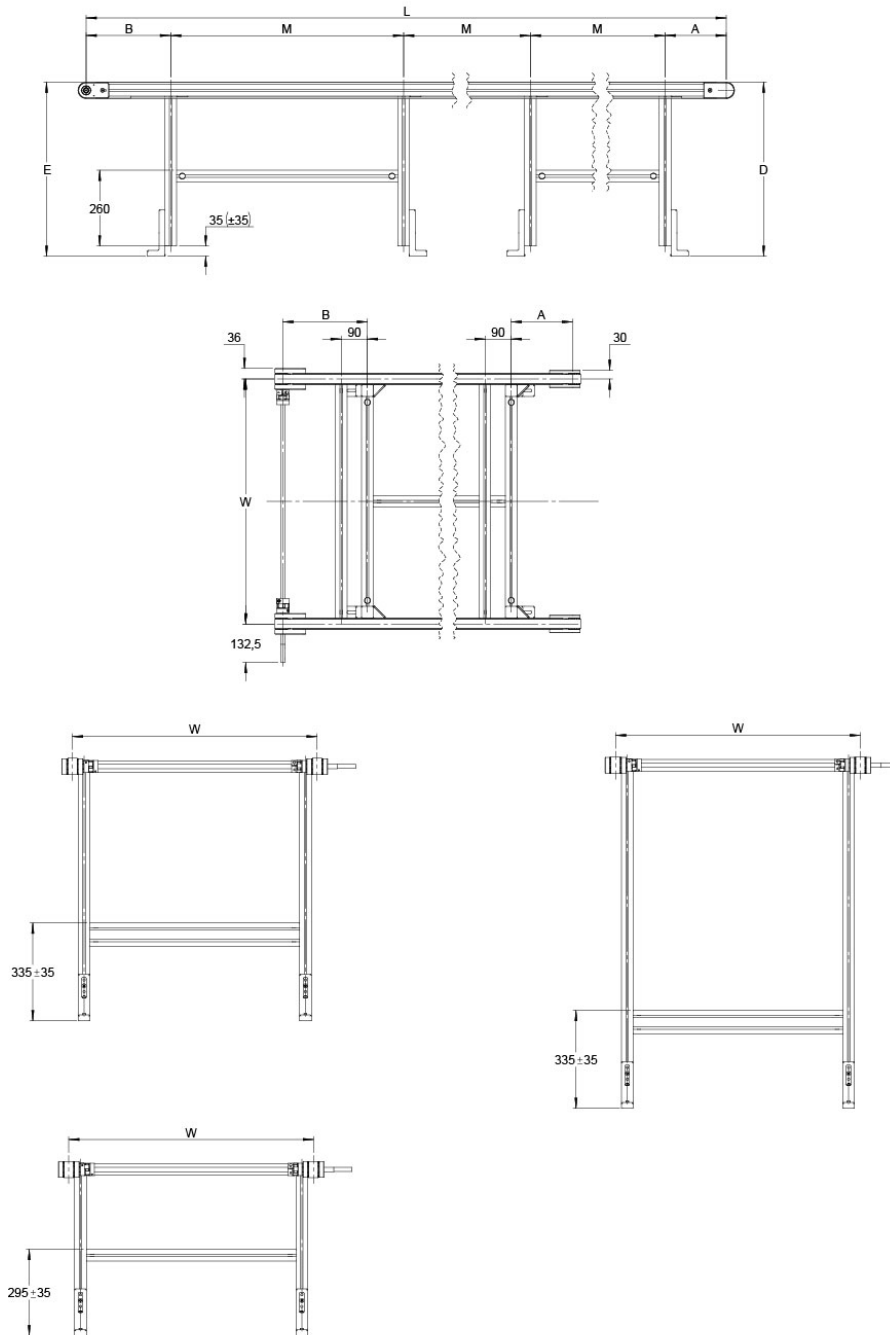
**No. of parallel units: 2**  
**Incline/decline: +/- 10°**  
**System load: Up to 150 kg**



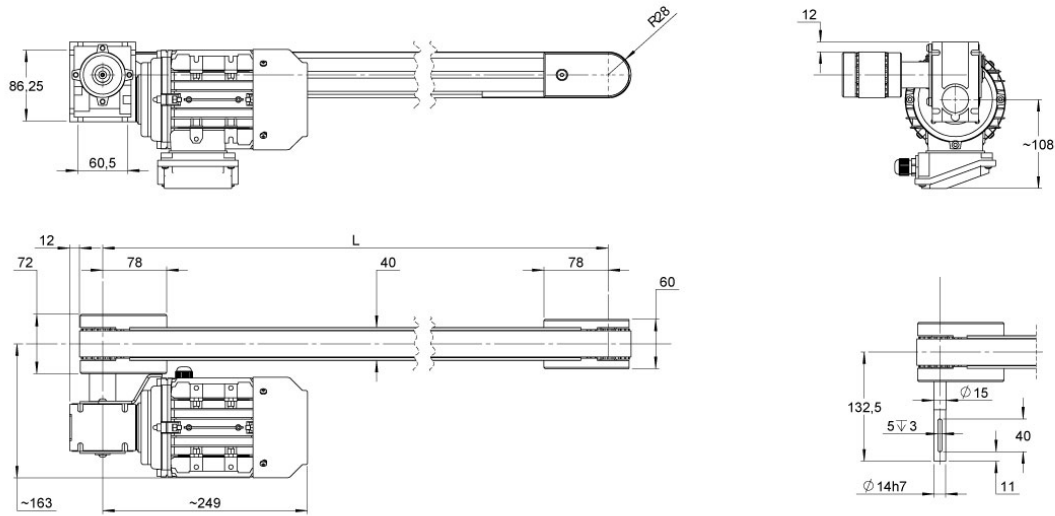
## General Data



## General Data



## General Data



Designation	Profile Width (PW)	Profile Height	Belt Width (BW)	Total Length (L)	CC
TB40-double	40	40	32	max 6000	max 1500

Designation	No. of parallell units	A	B	M
TB40-double	2	200-400	190-300	160-1000