

## Automatic Connectors

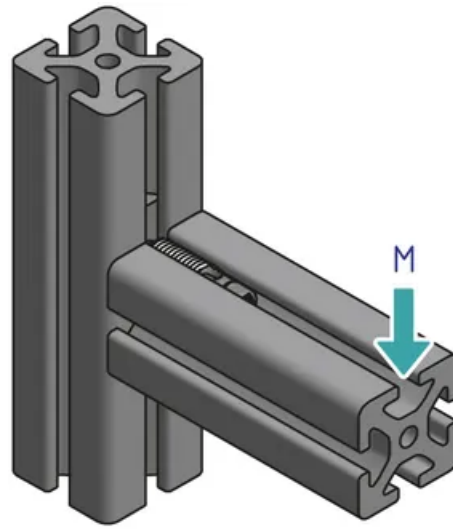
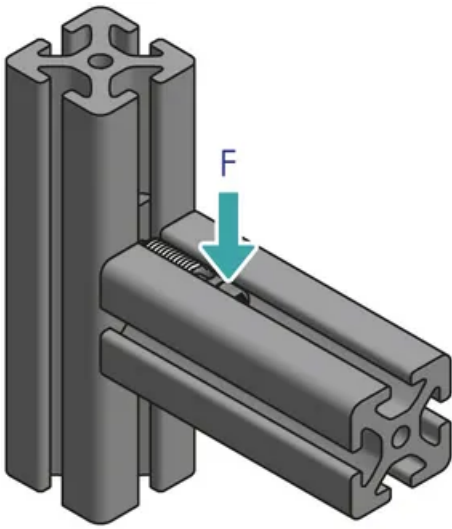
The set of automatic connectors mount quickly and easily because there is no need for modifying the profiles. Universal force-fit link for all profiles from the same series plus the option of moving them afterwards because the connectors are fitted in a single profile only. There is no restriction on installing them in existing constructions later.

Note: We recommend that you install them in pairs – this is also what the stress data refers to.

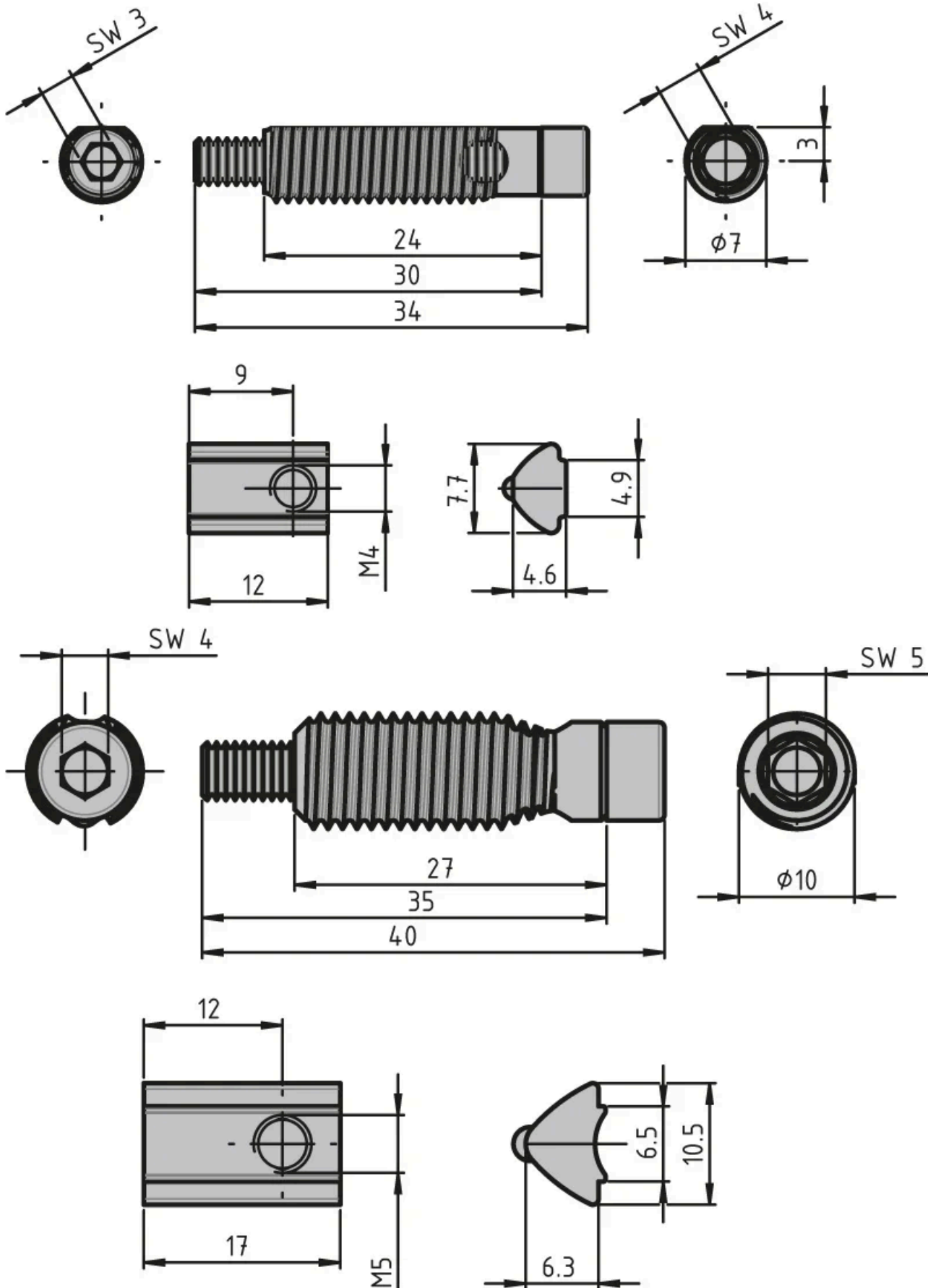
**System:** 30 - Slot 6; 20 - Slot 5

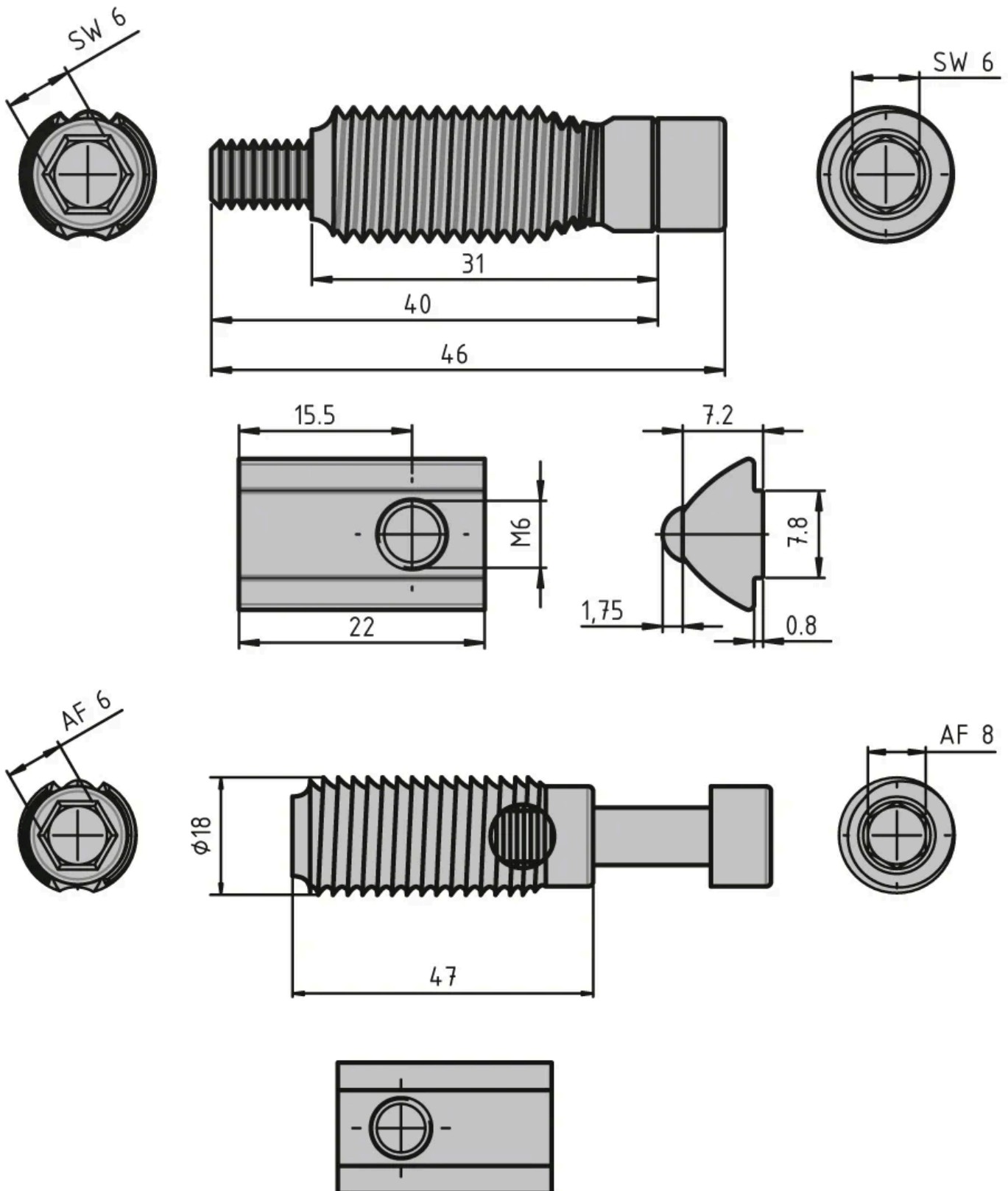
**Type:** Fasteners





**General Data**





Designation	Description	System	Material	M (Nm)	F (N)
PV4035	Automatic connector including slot nut with guide step	20 - Slot 5	Galvanised steel	12.5	350
PV1203	Automatic connector including slot nut with guide step	20 - Slot 5	Stainless steel	20	250
PV3045	Automatic connector including slot nut with guide step	30 - Slot 6	Galvanised steel	40	600
PZ3905	Automatic connector including slot nut with guide step	30 - Slot 6	Stainless steel	30	400