

## DSS43

Full extension consisting of two guide rails made of fixed and movable elements and an S-shaped intermediate element. This has a high moment of inertia and high rigidity with slim size. This results in a high loading capacity with low deflection in the extended state.

The DS series is available in three different designs: Version S with one-sided extension, Version B with locking in the extracted state for one-sided extension (DSB) and Version D with double-sided extension (DSD).

Number of holes shown in table are accessible holes/total holes.

Special strokes are defined as deviations from standard stroke H. See section "Special strokes" in the document Technical Information for Telescopic Rail Heavy.

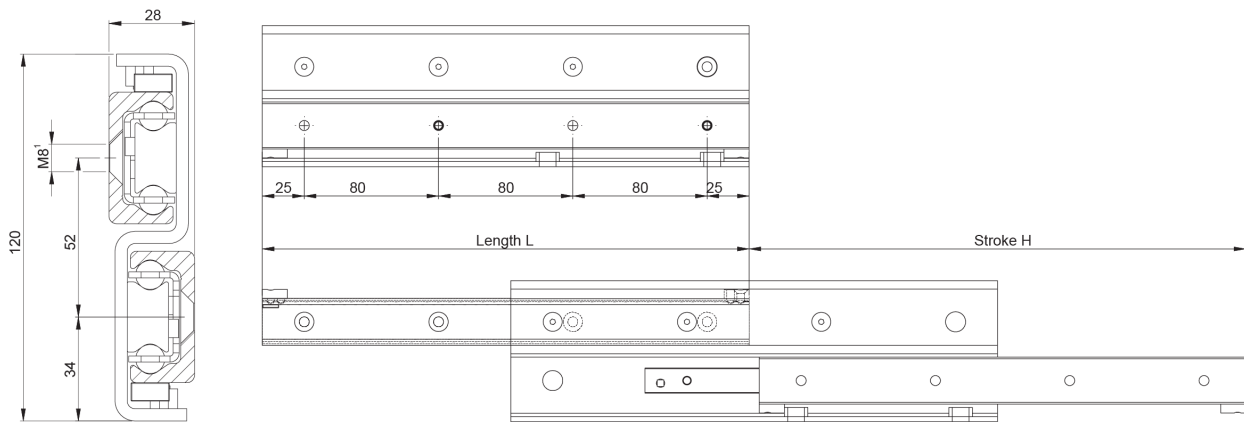
System Load Capacity Radial value refers to a pair of rails. Dimensions in mm.

See Technical Information for further details, operating conditions and installation instructions.

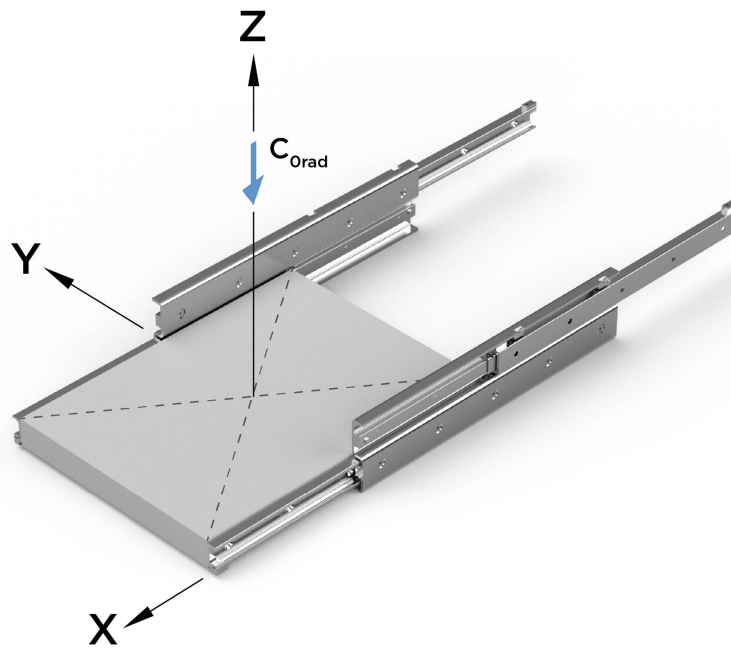


## General Data

DSS43



<sup>1</sup> Fixing holes for countersunk head screws according to DIN 7991.



Designation	Length	Stroke	Weight (kg/m)	System Load Capacity Radial (N)	Number of Fixing Holes
DSS43-530	530	556	14.6	4122	6/7
DSS43-610	610	626	14.6	5206	6/8
DSS43-690	690	726	14.6	5550	7/9
DSS43-770	770	796	14.6	6638	7/10
DSS43-850	850	866	14.6	7746	9/11
DSS43-930	930	966	14.6	8072	9/12
DSS43-1010	1010	1036	14.6	9180	10/13
DSS43-1090	1090	1106	14.6	10208	11/14
DSS43-1170	1170	1206	14.6	9220	12/15
DSS43-1250	1250	1276	14.6	8796	12/16
DSS43-1330	1330	1376	14.6	8054	13/17

**General Data**

Designation	Length	Stroke	Weight (kg/m)	System Load Capacity Radial (N)	Number of Fixing Holes
DSS43-1410	1410	1446	14.6	7728	13/18
DSS43-1490	1490	1516	14.6	7426	15/19
DSS43-1570	1570	1616	14.6	6890	15/20
DSS43-1650	1650	1686	14.6	6650	16/21
DSS43-1730	1730	1756	14.6	6426	16/22
DSS43-1810	1810	1856	14.6	6022	18/23
DSS43-1890	1890	1926	14.6	5838	18/24
DSS43-1970	1970	2026	14.6	5500	19/25