

## Blanking Screws

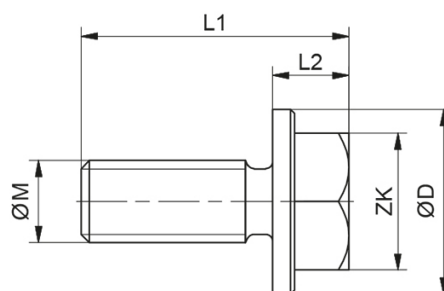
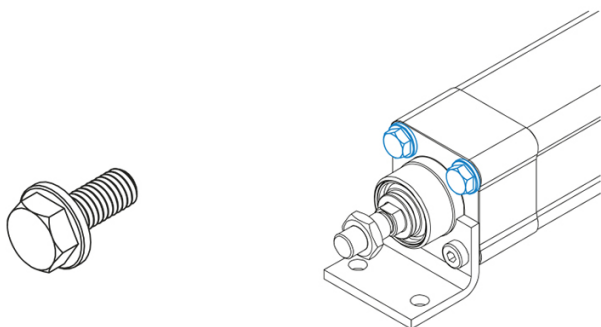
Set contains 4 pcs.  
Dimensions in mm.

**Material:** Stainless steel AISI 304



## Dimensions

CR



Designation	D	M	L1	L2	ZK
<b>M6 - 69156</b>	Ø 12.8	Ø M6	19.5	5.5	10
<b>M8 - 69157</b>	Ø 17	Ø M8	24	8	13
<b>M10 - 82901</b>	Ø 19.3	Ø M10	24.5	8.5	15