

SBG

Dimensions in mm.

Material: Aluminium or stainless steel AISI 304

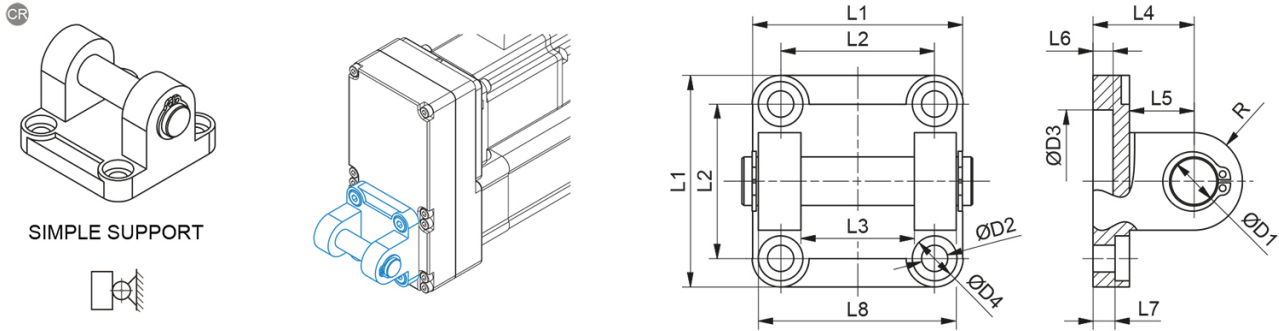


General Data

Designation	Description	Compatible with	Type	Material	Fmax (N)
SBG 32 MSD - 69629	SBG 32 MSD	PNCE 32	Motor side drive mounting	Aluminium	F PNCE
SBG 32 MSD CR - 69633	SBG 32 MSD CR	PNCE 32	Motor side drive mounting	Stainless steel AISI 304	F PNCE
SBG 40 MSD - 69630	SBG 40 MSD	PNCE 40	Motor side drive mounting	Aluminium	F PNCE
SBG 40 MSD CR - 69634	SBG 40 MSD CR	PNCE 40	Motor side drive mounting	Stainless steel AISI 304	F PNCE
SBG 50 MSD - 69631	SBG 50 MSD	PNCE 50	Motor side drive mounting	Aluminium	8000
SBG 50 MSD CR - 69635	SBG 50 MSD CR	PNCE 50	Motor side drive mounting	Stainless steel AISI 304	8000
SBG 63 MSD - 69632	SBG 63 MSD	PNCE 63	Motor side drive mounting	Aluminium	11000
SBG 63 MSD CR - 69636	SBG 63 MSD CR	PNCE 63	Motor side drive mounting	Stainless steel AISI 304	11000
SBG 80 MSD - 9252	SBG 80 MSD	PNCE 80	Motor side drive mounting	Aluminium	15360
SBG 80 MSD CR - 83251	SBG 80 MSD CR	PNCE 80	Motor side drive mounting	Stainless steel AISI 304	15360
SBG 100 MSD - 9244	SBG 100 MSD	PNCE 100	Motor side drive mounting	Aluminium	24000
SBG 100 MSD CR - 83253	SBG 100 MSD CR	PNCE 100	Motor side drive mounting	Stainless steel AISI 304	24000

Designation	Mass (kg)
SBG 32 MSD - 69629	0.11
SBG 32 MSD CR - 69633	0.2
SBG 40 MSD - 69630	0.18
SBG 40 MSD CR - 69634	0.31
SBG 50 MSD - 69631	0.23
SBG 50 MSD CR - 69635	0.45
SBG 63 MSD - 69632	0.36
SBG 63 MSD CR - 69636	0.7
SBG 80 MSD - 9252	0.61
SBG 80 MSD CR - 83251	1.42
SBG 100 MSD - 9244	0.98
SBG 100 MSD CR - 83253	2.5

Dimensions



SIMPLE SUPPORT

Designation	L1	L2	L3	L4	L5	L6	L7	L8	D1
SBG 32 MSD - 69629	45	32.5	26	22 (±0.2)	13	5	5.5	45	Ø 10 (e8)
SBG 32 MSD CR - 69633	45	32.5	26	22 (±0.2)	13	5	5.5	45	Ø 10 (e8)
SBG 40 MSD - 69630	52	38	28	25 (±0.2)	16	5	5.5	52	Ø 12 (e8)
SBG 40 MSD CR - 69634	52	38	28	25 (±0.2)	16	5	5.5	52	Ø 12 (e8)
SBG 50 MSD - 69631	65	46.5	32	27 (±0.2)	16	5	6.5	60	Ø 12 (e8)
SBG 50 MSD CR - 69635	65	46.5	32	27 (±0.2)	16	5	6.5	60	Ø 12 (e8)
SBG 63 MSD - 69632	75	56.5	40	32 (±0.2)	21	5	6.5	70	Ø 16 (e8)
SBG 63 MSD CR - 69636	75	56.5	40	32 (±0.2)	21	5	6.5	70	Ø 16 (e8)
SBG 80 MSD - 9252	93	72	50	36 (±0.2)	22	5	10	90	Ø 16 (e8)
SBG 80 MSD CR - 83251	93	72	50	36 (±0.2)	22	5	10	90	Ø 16 (e8)
SBG 100 MSD - 9244	110	89	60	41 (±0.2)	27	5	10	110	Ø 20 (e8)
SBG 100 MSD CR - 83253	110	89	60	41 (±0.2)	27	5	10	110	Ø 20 (e8)

Designation	D2	D3	D4	R
SBG 32 MSD - 69629	Ø 6.6 (H13)	Ø 30 (H11)	Ø 11 (H13)	10
SBG 32 MSD CR - 69633	Ø 6.6 (H13)	Ø 30 (H11)	Ø 11 (H13)	10
SBG 40 MSD - 69630	Ø 6.6 (H13)	Ø 35 (H11)	Ø 11 (H13)	12
SBG 40 MSD CR - 69634	Ø 6.6 (H13)	Ø 35 (H11)	Ø 11 (H13)	12
SBG 50 MSD - 69631	Ø 9 (H13)	Ø 40 (H11)	Ø 15 (H13)	12
SBG 50 MSD CR - 69635	Ø 9 (H13)	Ø 40 (H11)	Ø 15 (H13)	12
SBG 63 MSD - 69632	Ø 9 (H13)	Ø 45 (H11)	Ø 15 (H13)	16
SBG 63 MSD CR - 69636	Ø 9 (H13)	Ø 45 (H11)	Ø 15 (H13)	16
SBG 80 MSD - 9252	Ø 11 (H13)	Ø 45 (H11)	Ø 18 (H13)	16
SBG 80 MSD CR - 83251	Ø 11 (H13)	Ø 45 (H11)	Ø 18 (H13)	16
SBG 100 MSD - 9244	Ø 11 (H13)	Ø 55 (H11)	Ø 18 (H13)	20
SBG 100 MSD CR - 83253	Ø 11 (H13)	Ø 55 (H11)	Ø 18 (H13)	20