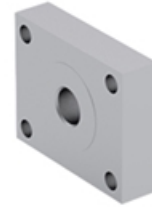


KSZ

Dimensions in mm.

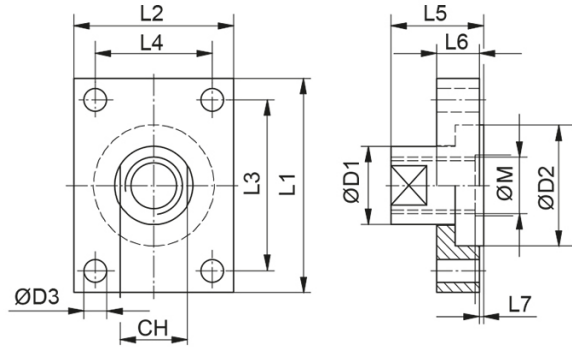
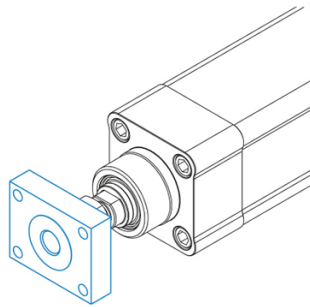
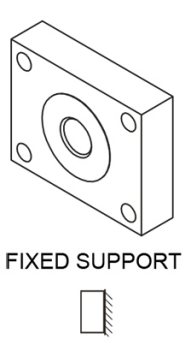
Material: Galvanized steel



General Data

Designation	Description	Compatible with	Fmax (N)	Mass (kg)
KSZ 32 - 5229	KSZ 32	PNCE 32	F PNCE	0.11
KSZ 40 - 5230	KSZ 40	PNCE 40	F PNCE	0.18
KSZ 50 - 5231	KSZ 50	PNCE 50	F PNCE	0.25
KSZ 63 - 5231	KSZ 63	PNCE 63	F PNCE	0.25
KSZ 80 - 5232	KSZ 80	PNCE 80	24800	0.42
KSZ 100 - 5232	KSZ 100	PNCE 100	24800	0.42

Dimensions



Designation	M	L1	L2	L3	L4	L5	L6	L7	D1
KSZ 32 - 5229	Ø M10 × 1.25	40	35	30	25	20	10	0.1	Ø 17 (-0.2)
KSZ 40 - 5230	Ø M12 × 1.25	50	40	40	30	22	12	0.1	Ø 17 (-0.2)
KSZ 50 - 5231	Ø M16 × 1.5	60	45	48	33	25	12	0.1	Ø 22 (-0.2)
KSZ 63 - 5231	Ø M16 × 1.5	60	45	48	33	25	12	0.1	Ø 22 (-0.2)
KSZ 80 - 5232	Ø M20 × 1.5	72	50	57	35	32	15	0.1	Ø 30 (-0.2)
KSZ 100 - 5232	Ø M20 × 1.5	72	50	57	35	32	15	0.1	Ø 30 (-0.2)

Designation	D2	D3	CH
KSZ 32 - 5229	Ø 26	Ø 5.5 (H13)	15
KSZ 40 - 5230	Ø 26	Ø 5.5 (H13)	15
KSZ 50 - 5231	Ø 34	Ø 6.6 (H13)	19
KSZ 63 - 5231	Ø 34	Ø 6.6 (H13)	19
KSZ 80 - 5232	Ø 44	Ø 9 (H13)	27
KSZ 100 - 5232	Ø 44	Ø 9 (H13)	27