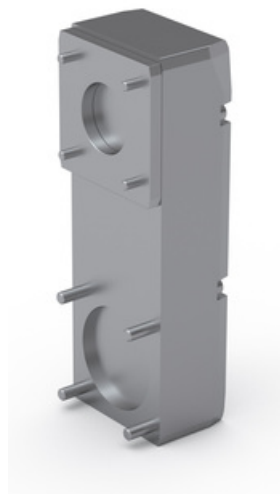


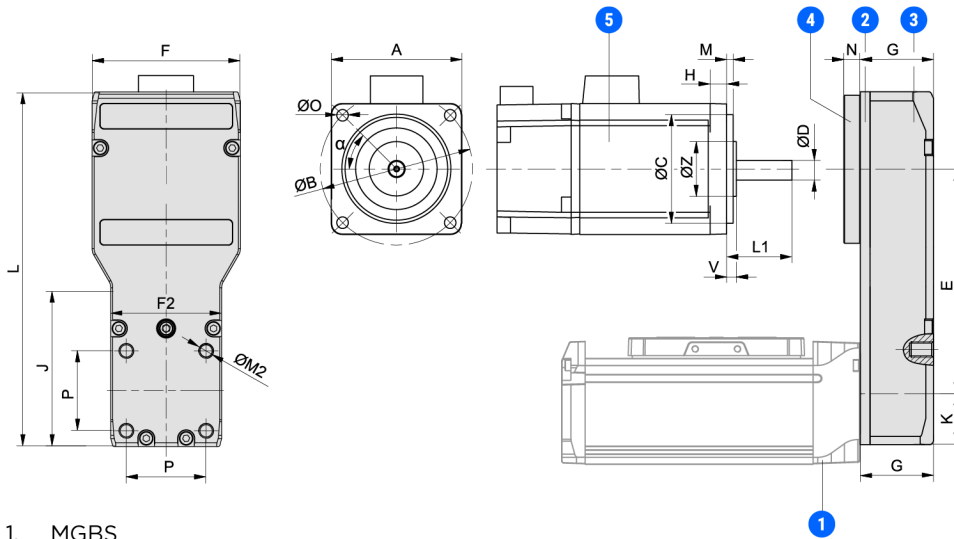
Motor side drive MSD

For Mini Linear Units MGBS.

Dimensions in mm.



General Data



1. MGBS
 2. Motor side drive main panel
 3. Motor side drive cover
 4. Motor side drive tensioning plate
 5. Motor
- } Motor side drive MSD

Designation	Type	Compatible with	Motor Type	Motor Size (mm)	Motor Standard
MSD 32 - T1 - 108262	T1	MGBS 32	Stepper	28	NEMA 11
MSD 32 - T2 - 108263	T2	MGBS 32	Stepper	42	NEMA 17
MSD 45 - T1 - 108264	T1	MGBS 45	Stepper	42	NEMA 17
MSD 45 - T2 - 108265	T2	MGBS 45	Stepper	56	NEMA 23
MSD 60 - T1 - 112515	T1	MGBS 60	Stepper	56	NEMA 23
MSD 60 - T2 - 112516	T2	MGBS 60	Stepper	86	NEMA 32

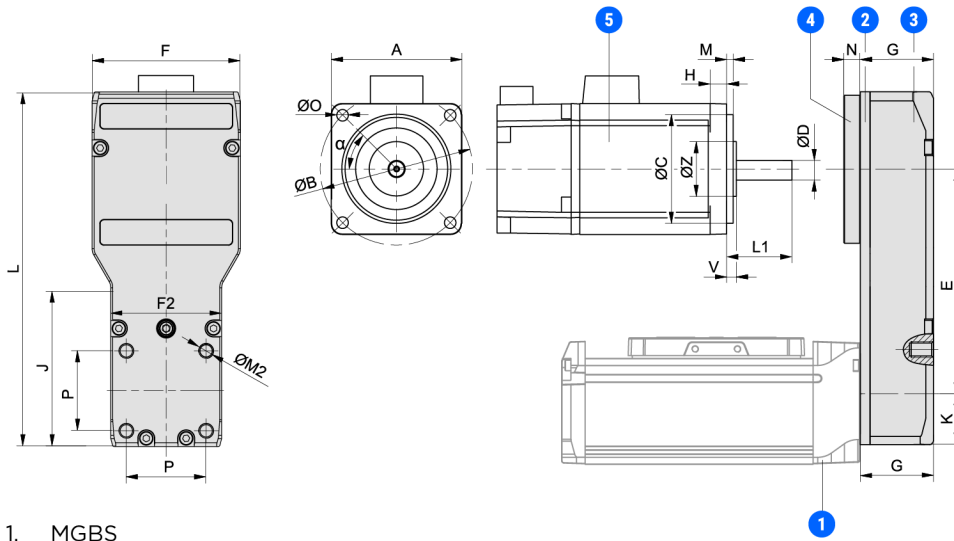
Designation	Motor Shaft Length L1 Min. (mm)	Motor Shaft Length L1 Max. (mm)	Motor Shaft Diameter (mm)	Motor Mounting Holes ØO × H (mm)	Mass (kg)	Gear ratio (I)
MSD 32 - T1 - 108262	14	20	5.0	M2.5 × 2.5 (min.)	0.12	1
MSD 32 - T2 - 108263	17.5	24	5.0	M3 × 4.5 (min.)	0.18	1
MSD 45 - T1 - 108264	20.5	28	5.0	M3 × 4.5 (min.)	0.28	1
MSD 45 - T2 - 108265	20	28	6.35	5 × 4.5 (min.) ~ 5.5 (max.)	0.36	1
MSD 60 - T1 - 112515	25	38	6.35	5 × 4.5 (min.) ~ 5.5 (max.)	0.60	1
MSD 60 - T2 - 112516	28.5	38	14	7 × 8.0 (min.) ~ 9.8 (max.)	0.88	1

Designation	Max. Drive Torque (Nm)	Max. Radial Load on Shaft (N)	No Load Torque (Nm)	Mass Moment of Inertia JMSD (10 ⁻² kg cm ²)
MSD 32 - T1 - 108262	0.10	15	0.015	0.39
MSD 32 - T2 - 108263	0.25	15	0.015	1.04
MSD 45 - T1 - 108264	0.30	15	0.020	4.16
MSD 45 - T2 - 108265	0.80	45	0.020	4.20
MSD 60 - T1 - 112515	0.80	35	0.025	7.52

General Data

Designation	Max. Drive Torque (Nm)	Max. Radial Load on Shaft (N)	No Load Torque (Nm)	Mass Moment of Inertia JMSD (10^{-2} kg cm ²)
MSD 60 - T2 - 112516	1.94	90	0.035	10.30

Dimensions



1. MGBS
 2. Motor side drive main panel
 3. Motor side drive cover
 4. Motor side drive tensioning plate
 5. Motor
- } Motor side drive MSD

Designation	A	B	C	D	E	F	F2	G	J
MSD 32 - T1 - 108262	34 (max.)	35 (max.)	25 (max.)	5 (max.)	52.5 (± 0.5)	31.5	31.5	22	0
MSD 32 - T2 - 108263	46 (max.)	50 (max.)	36 (max.)	6.35 (max.)	70.5 (± 0.5)	44.5	31.5	22	48
MSD 45 - T1 - 108264	46 (max.)	50 (max.)	36 (max.)	15 (max.)	81 (± 0.5)	44.5	44.5	27.5	0
MSD 45 - T2 - 108265	59.5 (max.)	70 (max.)	50 (max.)	15 (max.)	88.5 (± 0.5)	59.5	44.5	27.5	63.5
MSD 60 - T1 - 112515	59.5 (max.)	70 (max.)	50 (max.)	9 (max.)	96 (± 0.5)	59.5	59.5	33	0
MSD 60 - T2 - 112516	85.5 (max.)	100 (max.)	75 (max.)	19 (max.)	121.5 (± 0.5)	85.5	59.5	33	81.5

Designation	K	L	M2	N1	P
MSD 32 - T1 - 108262	15.75	85.5	M5 × 6	4	22
MSD 32 - T2 - 108263	15.75	110	M5 × 6.5	4.5	22
MSD 45 - T1 - 108264	22.25	127	M6 × 8.5	4.5	32
MSD 45 - T2 - 108265	22.25	142	M6 × 8.5	6.5	32
MSD 60 - T1 - 112515	29.75	157	M6 × 8	6.5	38
MSD 60 - T2 - 112516	29.75	195.5	M6 × 8	8.5	38