

## KBA...UU

Dimensions in mm.

Other types available on request.

NOTE: Linear Units can also be supplied with self-aligning SBE-Bushing (KBE...UU) or stainless LMES-Bushing (KBS..UU).

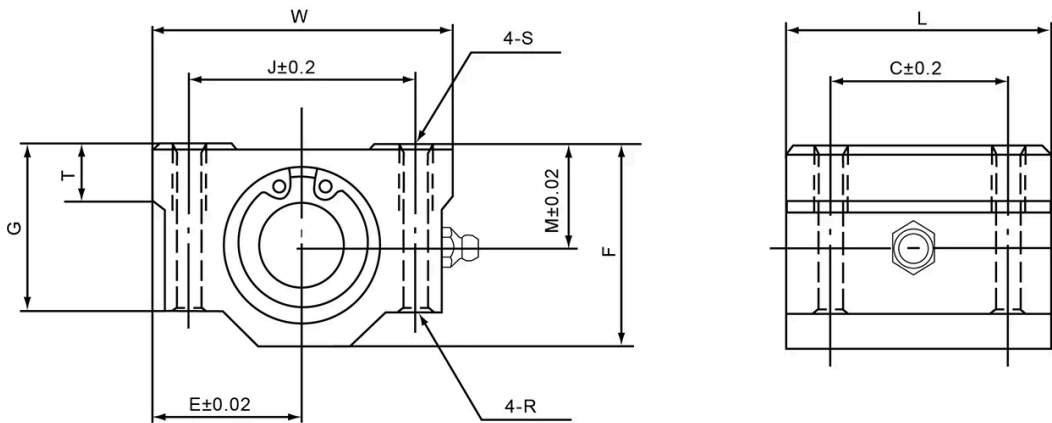
**Material:** Aluminium 6063 + 100Cr6



## General Data

| Designation | Dynamic Load Capacity (N) | Static Load Capacity (N) |
|-------------|---------------------------|--------------------------|
| KBA12UU     | 520                       | 740                      |
| KBA16UU     | 590                       | 910                      |
| KBA20UU     | 880                       | 1400                     |
| KBA25UU     | 1000                      | 1600                     |
| KBA30UU     | 1600                      | 2800                     |
| KBA40UU     | 2200                      | 4000                     |
| KBA50UU     | 3900                      | 8100                     |

## Dimensions



| Designation | L   | W   | C  | E  | F    | G    | J   | M  | R   |
|-------------|-----|-----|----|----|------|------|-----|----|-----|
| KBA12UU     | 39  | 44  | 26 | 22 | 30   | 24.5 | 33  | 15 | 4.3 |
| KBA16UU     | 44  | 50  | 34 | 25 | 38.5 | 32.5 | 36  | 19 | 4.3 |
| KBA20UU     | 53  | 54  | 40 | 27 | 41   | 35   | 40  | 21 | 5.2 |
| KBA25UU     | 67  | 76  | 50 | 38 | 51.5 | 42   | 54  | 26 | 7   |
| KBA30UU     | 76  | 78  | 58 | 39 | 59.5 | 49   | 58  | 30 | 7   |
| KBA40UU     | 90  | 102 | 60 | 51 | 78   | 62   | 80  | 40 | 8.7 |
| KBA50UU     | 110 | 122 | 80 | 61 | 102  | 80   | 100 | 52 | 8.7 |

| Designation | S   | T  | Inscribed Circle Diameter |
|-------------|-----|----|---------------------------|
| KBA12UU     | M5  | 8  | 12                        |
| KBA16UU     | M5  | 9  | 16                        |
| KBA20UU     | M6  | 11 | 20                        |
| KBA25UU     | M8  | 12 | 25                        |
| KBA30UU     | M8  | 15 | 30                        |
| KBA40UU     | M10 | 20 | 40                        |
| KBA50UU     | M10 | 25 | 50                        |