

Table of contents

- **UP---.0700**
- **UP---.0730**
- **XUP---.0700**
- **UP---.0780**
- **IP---.0800**
- **TR---.0200**
- **TR---.0300**
- **TR---.0360**
- **STR---.6200**
- **PAS ---.0200**
- **PAS ---.0360**
- **PSAS ---.6200**
- **TR---.0390**
- **STR---.4200**
- **XTR---.0200**
- **XTR---.0300**
- **XSTR---.6200**
- **SFE---.5200**
- **BQ---.1000**
- **BQ---.4000**
- **BR---.1100**
- **BR---.4100**
- **Distance Sheet BQ**
- **Distance Sheet BR**
- **Distance Ring**
- **KS---.3650**
- **RA Grease**

UP---.0700

- Higher wear-resistance
- Fine grained structure
- Easy to weld
- Special machining on request
- Max length in one piece 12 m

Versions of delivery:

Standard UP---.0700

Fine straightened style $\pm 0,3$ mm/m UP---.0701

Sandblasted UP---.0702

Sandblasted + fine straightened style UP---.0703

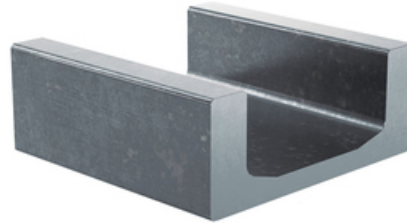
Ordering example: UP 070.0700-2800

U-Profile with inside measurement 70,8 mm, length 2800 mm

Dimensions in mm.

Material: 18MnNb 6 with plenty more load capacity by addition of Niob (Nb) and vanadium (V)

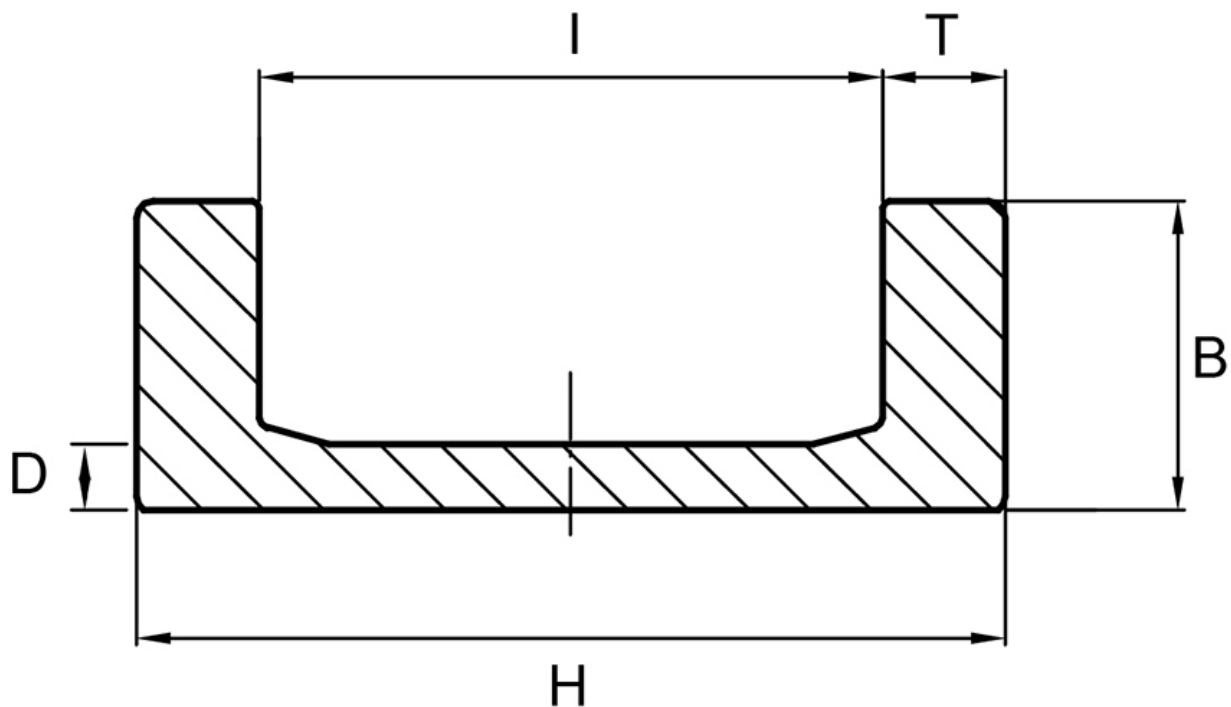
Sizes Available: 60; 70; 80; 90; 110; 120; 150; 180



General Data

Designation	Weight (kg/m)
UP060.0700	10.50
UP070.0700	14.80
UP080.0700	20.90
UP090.0700	28.60
UP110.0700	36.00
UP120.0700	42.80
UP150.0700	52.30
UP180.0700	78.51

Dimensions



Designation	B	D	H	I	T
UP060.0700	36	7 ±0.5	86.5	62.5 +1	12 ±0.5
UP070.0700	40 ±0.8	7.7 ±0.5	103.2	70.8 ±0.5	16.2 ±0.5
UP080.0700	41 ±0.5	10.8 ±0.5	121.3	78.7 ±0.5	21.2 ±0.5
UP090.0700	53 ±0.5	12.7 ±0.5	135.4	89.4 ±0.5	23 ±0.5
UP110.0700	61.2 ±0.8	14 ±0.5	157.2	108.4 ±0.5	24.4 ±0.5
UP120.0700	66.2 ±0.8	16.2 ±0.5	175	123.8 ±0.5	25.6 ±0.5
UP150.0700	71.2 ±0.8	19.4 ±0.5	201.5	150.1 ±0.5	25.7 ±0.5
UP180.0700	90 ±0.6	19.4 ±0.5	252.5	181.1 ±0.6	35.7 ±0.6

UP---.0730

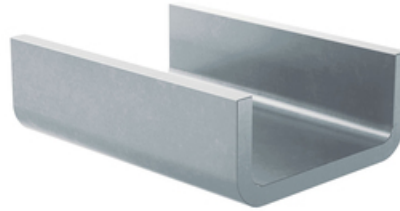
- Higher wear-resistance
- Fine grained structure
- Easy to weld
- Special machining on request
- Max length in one piece 8 m

Ordering example: UP 050.0730 - 2800
U-Profile with inside measurement 53 mm, length 2800 mm

Dimensions in mm.

Material: S235J2

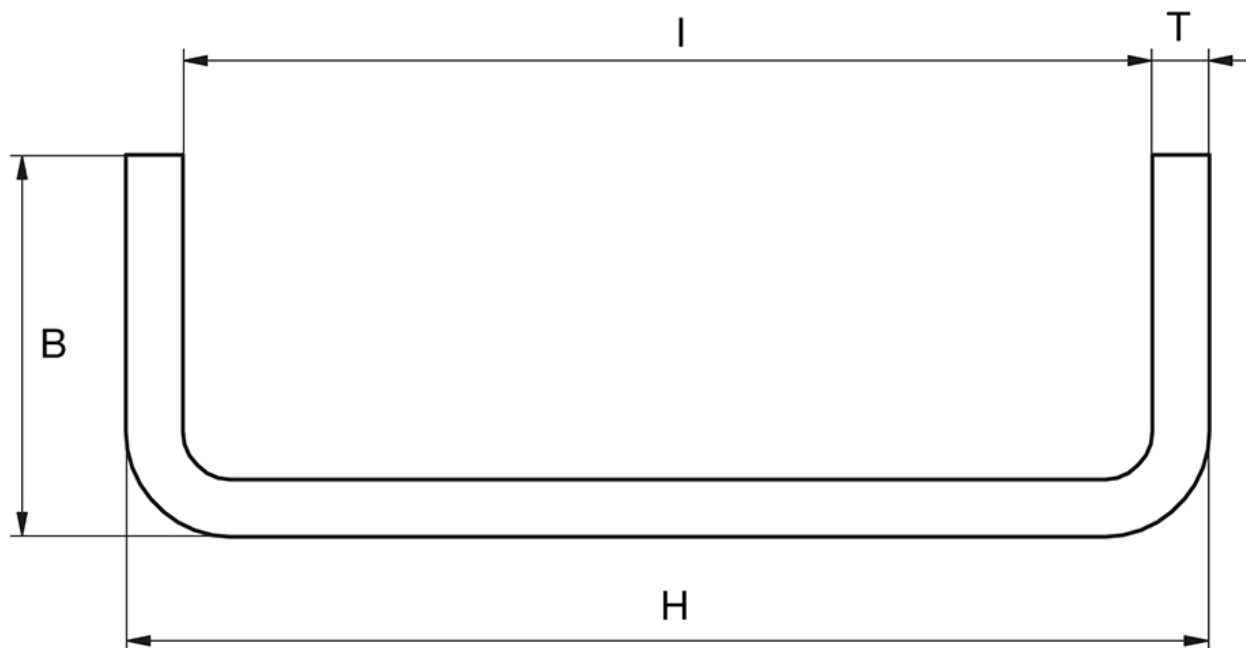
Sizes Available: 40; 50; 60; 100; 125; 145; 160; 180



General Data

Designation	Weight (kg/m)
UP040.0730	2.62
UP050.0730	5.30
UP060.0730	5.80
UP100.0730	8.30
UP125.0730	14.30
UP145.0730	16.90
UP160.0730	18.41
UP180.0730	24.10

Dimensions



Designation	B	H	I	T
UP040.0730	24	48.5	40.5	4
UP050.0730	30	65	53	6
UP060.0730	33	75	63	6
UP100.0730	40	114	102	6
UP125.0730	56	142	126	8
UP145.0730	65	162	146	8
UP160.0730	73	175	159	8
UP180.0730	70	200	180	10

XUP---.0700

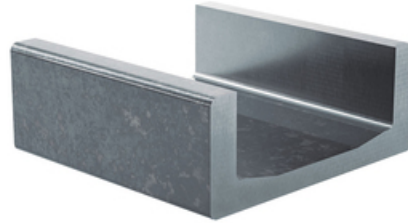
- Extra sustainable
- Extra exact
- Extra strong
- Extra long-lasting
- Chamber dimension tolerance 0,2 mm
- Max. loading pressure 1060 Mpa
- Elastic limit \geq 550 Mpa
- Tensile strength 700 ... 900 Mpa
- Special machining on request
- Max length in one piece 8,8 m

Ordering example: XUP 070.0700-2800
U-Profile with inside measurement 74,1 mm, length 2800 mm

Dimensions in mm.

Material: 25 MnV5mod with plenty more load capacity

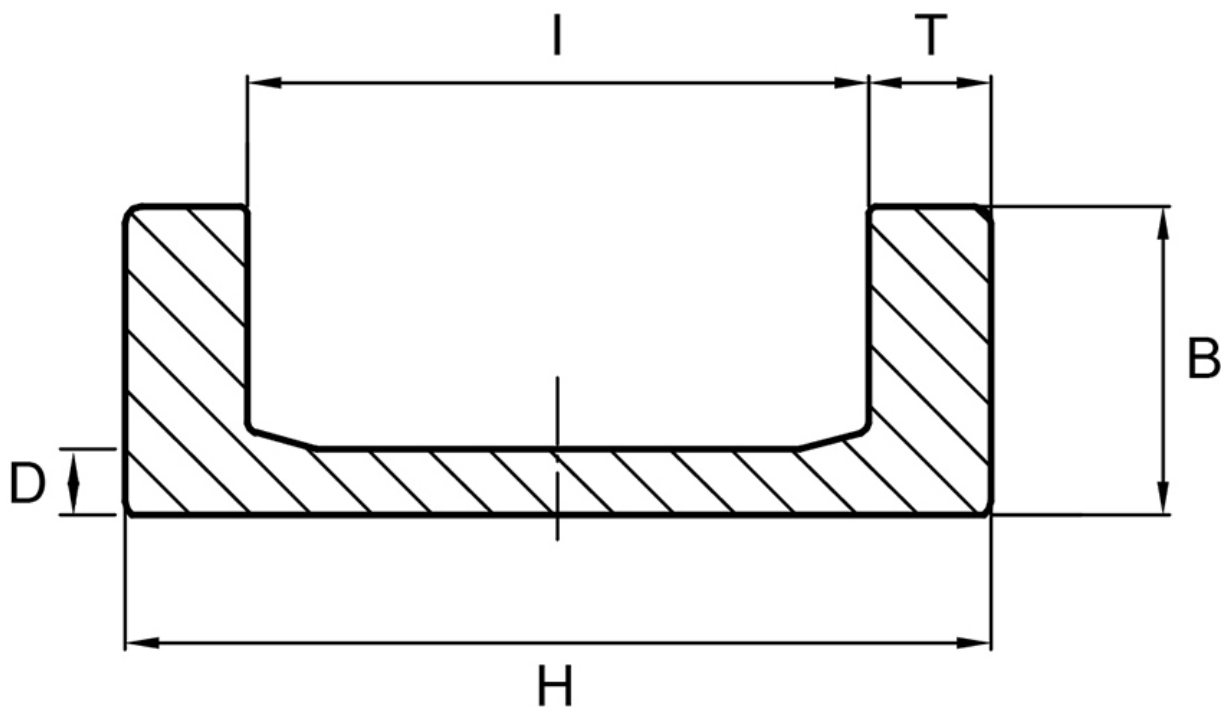
Sizes Available: 60; 70; 90; 110; 150



General Data

Designation	Weight (kg/m)
XUP060.0700	9.82
XUP070.0700	13.97
XUP090.0700	27.65
XUP110.0700	34.77
XUP150.0700	50.99

Dimensions



Designation	B	D	H	I	T
XUP060.0700	36	7 ±0.5	86.5	65.8 ±0.1	10.3 ±0.5
XUP070.0700	40 ±0.8	7.7 ±0.5	103.2	74.1 ±0.1	14.5 ±0.5
XUP090.0700	53 ±0.5	12.7 ±0.5	135.4	92.7 ±0.1	21.3 ±0.5
XUP110.0700	61.2 ±0.8	14 ±0.5	157.2	111.7 ±0.1	22.7 ±0.5
XUP150.0700	71.2 ±0.8	19.4 ±0.5	201.5	153.4 ±0.1	24 ±0.5

UP---.0780

- Stainless steel U-Profile
- Manufacturing length up to 8000 mm

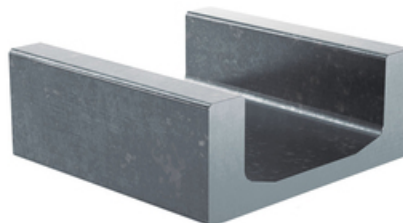
Ordering example: UP 070.0780-2800

U-Profile with inside measurement 74,1 mm, length 2800 mm

Dimensions in mm.

Material: 1.4301

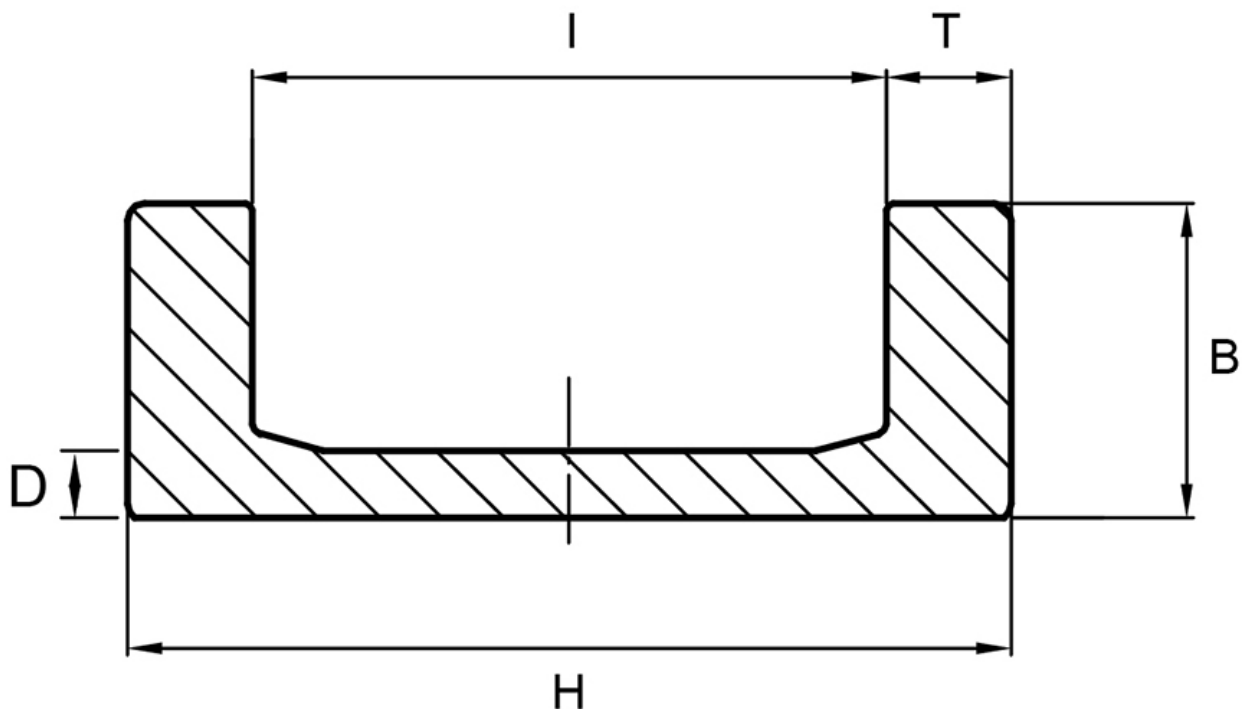
Sizes Available: 50; 70; 80



General Data

Designation	Weight (kg/m)
UP050.0780	5.30
UP070.0780	10.70
UP080.0780	21.00

Dimensions



Designation	B	D	H	I	T
UP050.0780	31	6	65 ±0.4	53 ±0.4	6
UP070.0780	38 ±0.8	8 ±0.5	90.5 ±0.8	71 ±0.8	9.75
UP080.0780	41 ±0.8	10.8 ±0.8	121.3 ±0.8	78.7 ±0.7	21.3

IP---.0800

- Higher wear resistance
- Fine grained structure
- Easy to weld

Versions of delivery:

Standard IP---.0800

Fine straightened style $\pm 0,3$ mm/m IP---.0801

Sandblasted IP---.0802

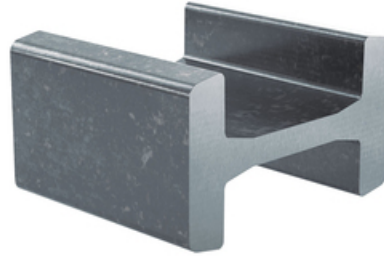
Sandblasted + fine straightened style IP---.0803

Ordering example: IP 070.0800-2800 (I-Profile with inside measurement 70 mm, length 2800 mm)

Dimensions in mm.

Material: Material 18MnNb 6 with plenty more load capacity by add-on of Niob (Nb)

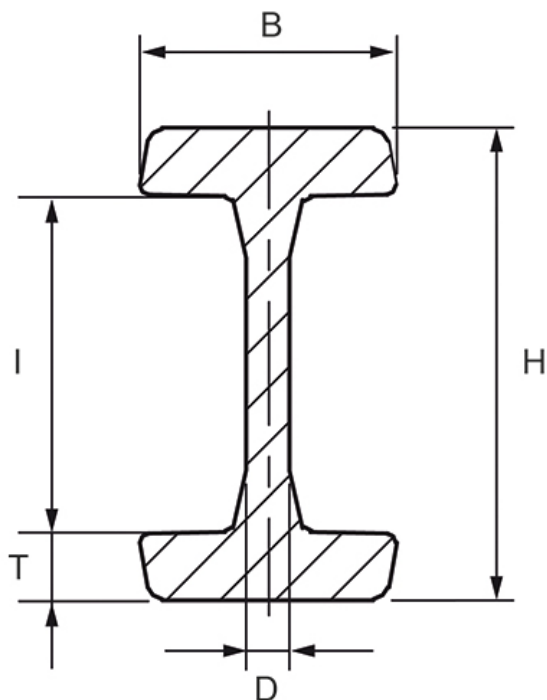
Sizes Available: 60; 70; 80; 90; 110; 120



General Data

Designation	Weight (kg/m)
IP060.0800	21.00
IP070.0800	19.40
IP080.0800	25.30
IP090.0800	34.00
IP110.0800	40.80
IP120.0800	51.50

Dimensions



Designation	B	D	H	I	T
IP060.0800	72 ±1	14 ±0.5	86.5	62.7 +0.8	12 ±0.5
IP070.0800	65 ±1	9 ±0.5	98	70 +1	14 ±0.5
IP080.0800	66 ±1	11 ±0.5	113.9	77.9 +1	18 ±0.5
IP090.0800	81 ±1.25	12 ±0.5	129.6	88.6 +1	20.5 ±0.5
IP110.0800	83 ±1	14 ±0.5	152.4	108.4 ±0.5	22 ±0.5
IP120.0800	90 ±1.3	15 ±0.5	175 ±0.5	123.8 ±0.5	25.6 ±0.5

TR---.0200

- Lubricated for lifetime
- Optional from size 60 relubricable.

Use profile UP---.0700. Profile UP---.0730 for TR050.0200

Fixing square element BQ---.1000

Rectangular fixing element BR---.1100

C = Dynamic load capacity radial bearing

Ca = Static load capacity axial bearing

Note! System Load Capacity refers to capacity of both rail and bearing. Dynamic Load Capacity refers to bearing. Dimensions in mm.

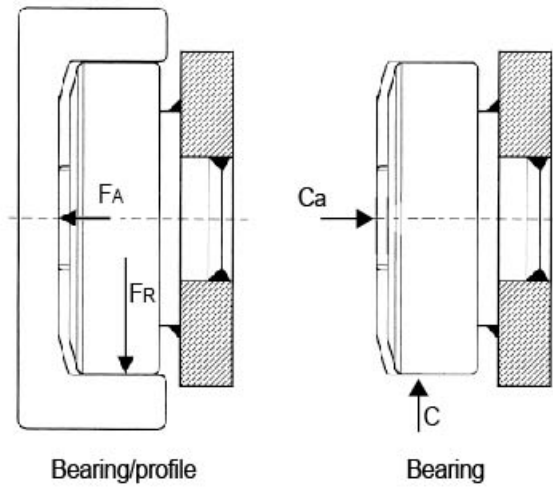
Roller Type: Standard

Sizes Available: 50; 60; 70; 80; 90; 110; 120; 150; 180



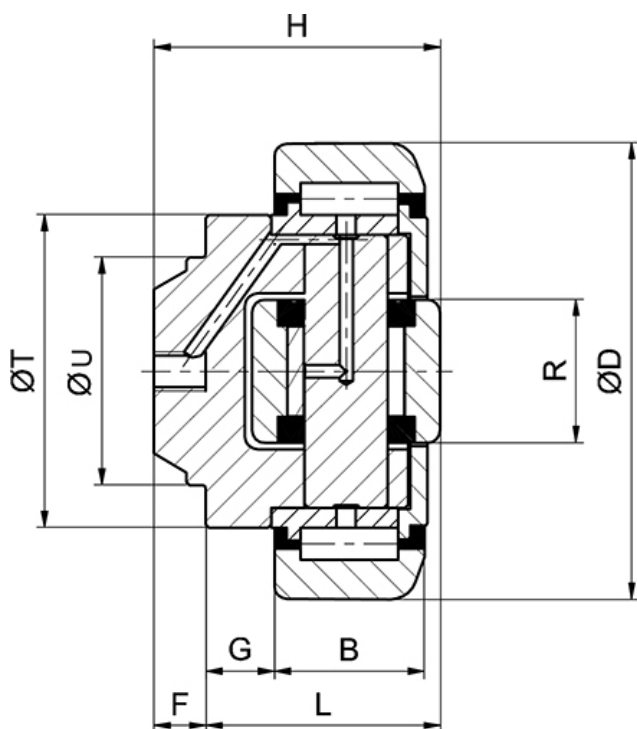
General Data

FA = System Load Capacity Axial
 FR = System Load Capacity Radial
 Ca = Dynamic Load Capacity Axial
 C = Dynamic Load Capacity Radial



Designation	System Load Capacity Radial (N)	System Load Capacity Axial (N)	Dynamic Load Capacity Axial (N)	Dynamic Load Capacity Radial (N)	Profile
TR050.0200	5300	2000	7500	24500	UP---.0730
TR060.0200	8870	2950	11000	31000	UP---.0700
TR070.0200	11400	3150	13000	45500	UP---.0700
TR080.0200	12870	5000	18000	48000	UP---.0700
TR090.0200	20370	5100	23000	68000	UP---.0700
TR110.0200	24060	8900	31000	81000	UP---.0700
TR120.0200	33440	9800	43000	110000	UP---.0700
TR150.0200	51940	17400	68000	151000	UP---.0700
TR180.0200	76000	23000	73000	207000	UP---.0700

Dimensions



Designation	B	D	F	G	H	L	R	T	U
TR050.0200	17	52.5	6	5	33	27	16	40	30
TR060.0200	20	62.5	7	9	37.5	30.5	20	42	30
TR070.0200	23	70.1	8	10.5	44	36	22	48	35
TR080.0200	23	77.7	11.5	10.5	48	36.5	24	54	40
TR090.0200	30	88.4	13	10.5	57	44	26	59	45
TR110.0200	31	107.7	14	20	69	55	34	71	60
TR120.0200	37	123	16.3	14	72.3	56	40	80	60
TR150.0200	45	149	20	8.5	78.5	58.5	50	103	60
TR180.0200	57.3	180	19.4	12.5	95.7	76.3	60	124	100

TR---.0300

- Lubricated for lifetime

Use profile UP---.0700

Fixing square element BQ---.1000

Rectangular fixing element BR---.1100

Note! System Load Capacity refers to capacity of both rail and bearing. Dynamic Load Capacity refers to bearing.

Dimensions in mm.

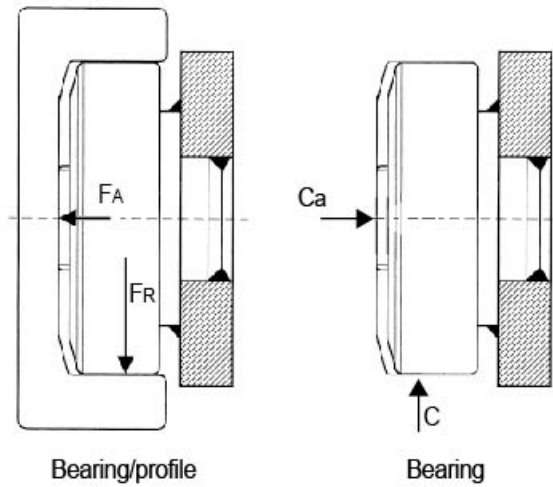
Roller Type: Standard

Sizes Available: 60; 70; 80; 90; 110; 120; 150



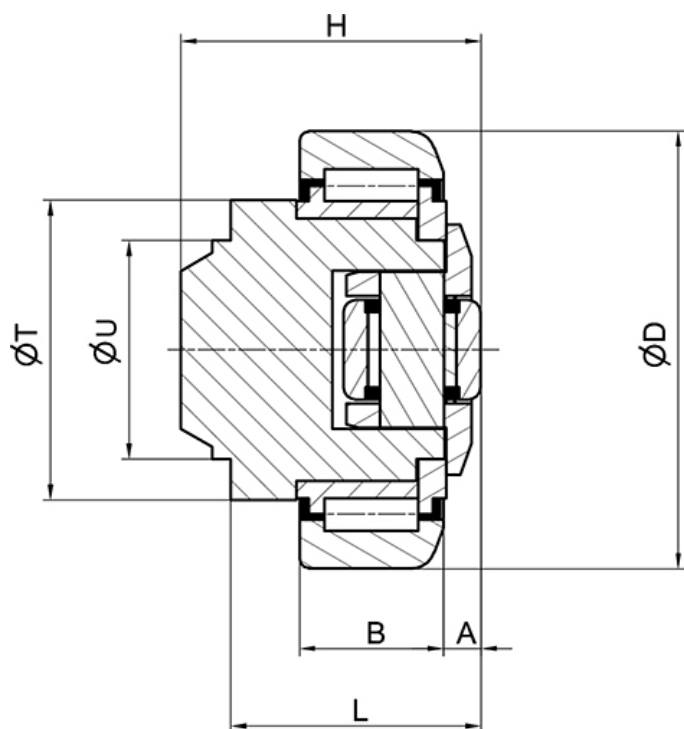
General Data

FA = System Load Capacity Axial
 FR = System Load Capacity Radial
 Ca = Dynamic Load Capacity Axial
 C = Dynamic Load Capacity Radial



Designation	System Load Capacity Radial (N)	System Load Capacity Axial (N)	Dynamic Load Capacity Axial (N)	Dynamic Load Capacity Radial (N)	Profile
TR060.0300	8870	2950	8000	31000	UP---.0700
TR070.0300	11400	3150	13000	45500	UP---.0700
TR080.0300	12870	5000	14000	48000	UP---.0700
TR090.0300	20370	5100	15000	68000	UP---.0700
TR110.0300	24060	8900	31000	81000	UP---.0700
TR120.0300	33440	9800	31000	110000	UP---.0700
TR150.0300	51940	17400	68000	151000	UP---.0700

Dimensions



Designation	A	B	D	H	L	T	U
TR060.0300	5.5	20	62.5	43	33	42	30
TR070.0300	6.5	23	70.1	48	40	48	35
TR080.0300	7	23	77.7	50.5	39.5	54	40
TR090.0300	7	30	88.4	61	48	59	45
TR110.0300	8	31	107.7	69	55	71	60
TR120.0300	8	37	123	75.8	59.5	80	60
TR150.0300	15	45	149	89	69	103	60

TR---.0360

- Lubricated for lifetime

Use profile UP---.0700

Fixing square element BQ---.1000

Rectangular fixing element BR---.1100

Note! System Load Capacity refers to capacity of both rail and bearing. Dynamic Load Capacity refers to bearing.

Dimensions in mm.

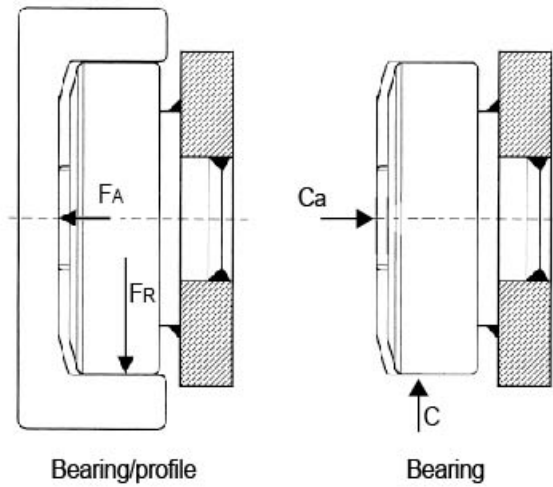
Roller Type: Standard

Sizes Available: 50; 60; 70; 80; 90; 110; 120; 150



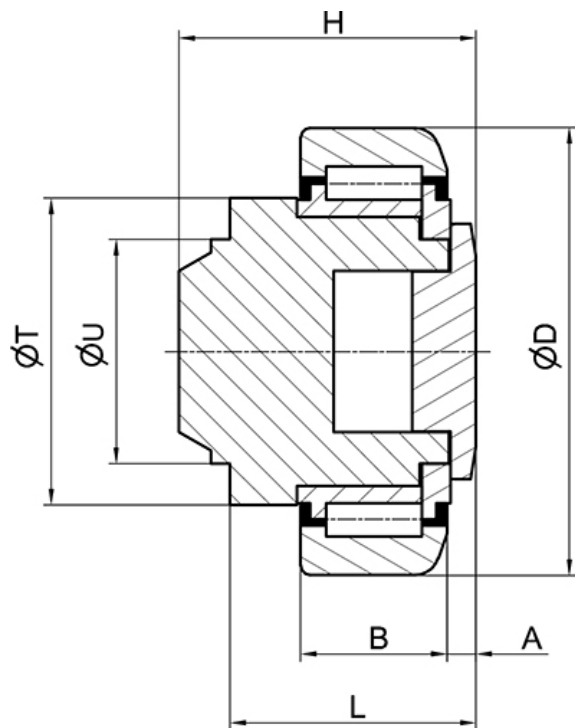
General Data

FA = System Load Capacity Axial
 FR = System Load Capacity Radial
 Ca = Dynamic Load Capacity Axial
 C = Dynamic Load Capacity Radial



Designation	System Load Capacity Radial (N)	System Load Capacity Axial (N)	Dynamic Load Capacity Radial (N)	Profile
TR050.0360	5300	2000	24500	UP---.0700
TR060.0360	8870	2950	31000	UP---.0700
TR070.0360	11400	3150	45500	UP---.0700
TR080.0360	12870	5000	48000	UP---.0700
TR090.0360	20370	5100	68000	UP---.0700
TR110.0360	24060	8900	81000	UP---.0700
TR120.0360	33440	9800	110000	UP---.0700
TR150.0360	51940	17400	151000	UP---.0700

Dimensions



Designation	A	B	D	H	L	T	U
TR050.0360	6	17	52.5	34	28	40	30
TR060.0360	5.5	20	62.5	43	33	42	30
TR070.0360	6.5	23	70.1	48	40	48	35
TR080.0360	7	23	77.7	50.5	39.5	54	40
TR090.0360	7	30	88.4	61	48	59	45
TR110.0360	8	31	107.7	69	55	71	60
TR120.0360	8	37	123	75.8	59.5	80	60
TR150.0360	8	45	149	82	62	103	60

STR---.6200

- This roller with axial bearing gives 40% higher load capacity
- Lubricated for lifetime
- Special dimensions on request

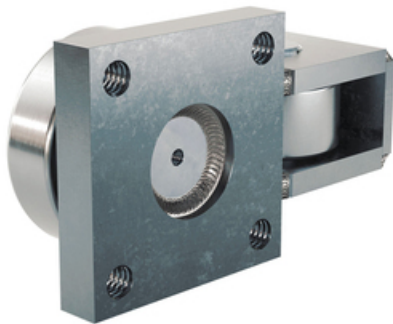
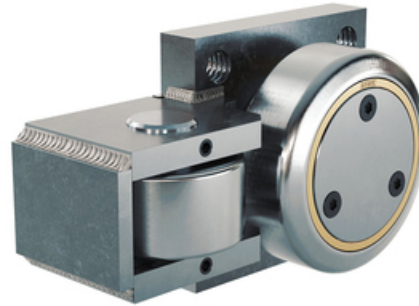
Use profile UP---.0700

Order example: STR 080.6200
Standard roller STR 080.6200

Dimensions in mm.

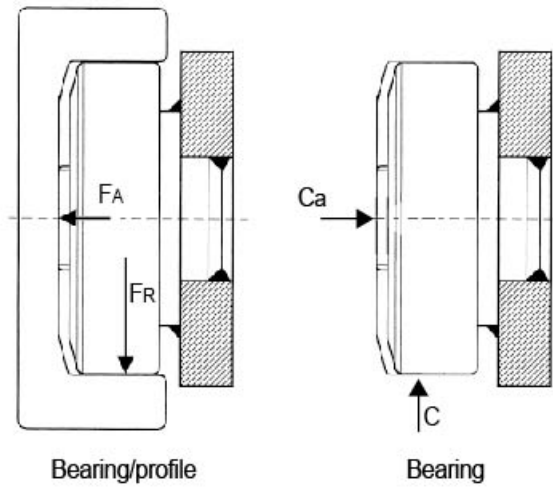
Roller Type: Standard

Sizes Available: 60; 70; 80; 90; 110; 120; 150



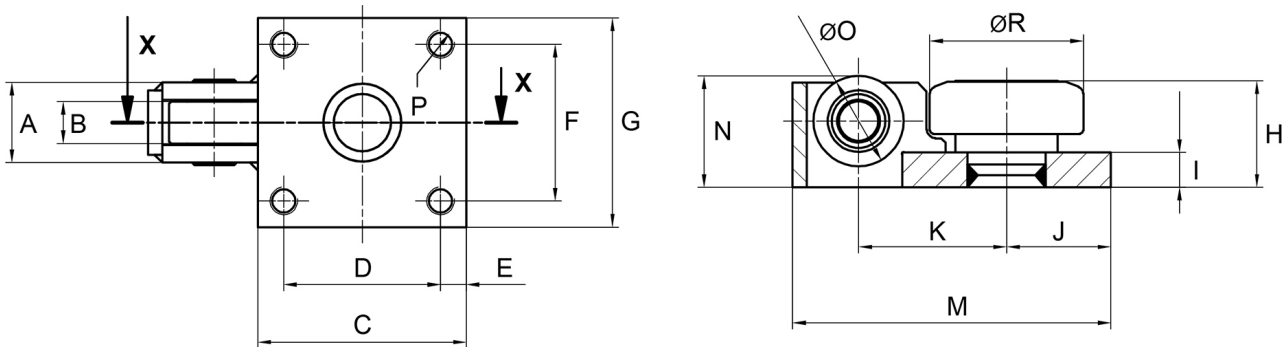
General Data

FA = System Load Capacity Axial
 FR = System Load Capacity Radial
 Ca = Dynamic Load Capacity Axial
 C = Dynamic Load Capacity Radial



Designation	System Load Capacity Radial (N)	System Load Capacity Axial (N)	Profile
STR060.6200	8870	7000	UP---.0700
STR070.6200	11400	11000	UP---.0700
STR080.6200	12870	11000	UP---.0700
STR090.6200	20370	13000	UP---.0700
STR110.6200	24060	20000	UP---.0700
STR120.6200	33440	20000	UP---.0700
STR150.6200	51940	20000	UP---.0700

Dimensions



Designation	A	B	C	D	E	F	G	H	I
STR060.6200	38	20	70	50	10	50	70	41.5	12
STR070.6200	42	24	80	60	10	60	80	49	15
STR080.6200	46	24	100	70	15	70	100	48.5	15
STR090.6200	46	24	120	90	15	90	120	61	20
STR110.6200	54	28	140	100	20	100	140	71.5	20
STR120.6200	58	28	140	100	20	100	140	71.5	20
STR150.6200	54	28	160	120	20	120	160	79	25

Designation	J	K	M	N	O	P	R
STR060.6200	35	55	118	42.5	Ø 40	4 x M10	Ø 62.5
STR070.6200	40	65	137	51	Ø 47	4 x M12	Ø 70.1
STR080.6200	50	75	157	51.5	Ø 47	4 x M12	Ø 77.7
STR090.6200	60	85	183	64	Ø 52	4 x M16	Ø 88.4
STR110.6200	70	105	223	75	Ø 72	4 x M16	Ø 107.1
STR120.6200	70	107	225	76	Ø 72	4 x M16	Ø 123
STR150.6200	80	120	248	83.5	Ø 72	4 x M16	Ø 149

PAS ---.0200

- Polyamide roller combined – fixed
- Lubricated for lifetime
- High abrasion resistance
- Low friction
- High chemical resistance to alcohol, salts, greases and certain acids and alkalis in diluted concentration.

Reduction of value by speed of:

1 m/sec: 0%

2 m/sec: -20%

3 m/sec: -30%

Use profile UP---.0730. See Fixing element rectangular and square.

Order example: Roller + fixing plate PAS040.0360/BQ1000
Roller Ø 40 mm - welded with mounting element 50 mm x 50 mm x 8 mm

Dimensions in mm.

Temperature: Maximum working temperature 80° C

Speed: Travel speed up to 5 m/sec

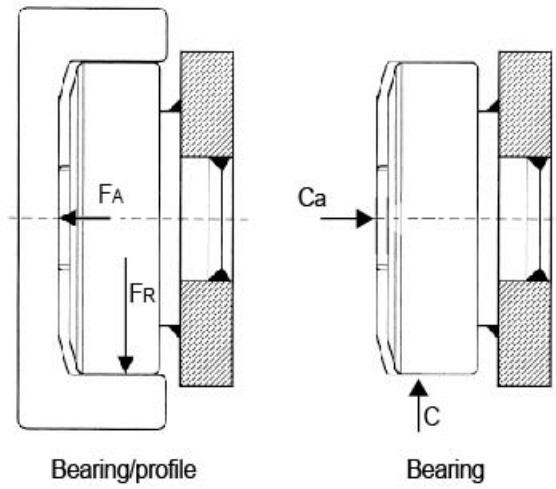
Roller Type: Polyamide

Sizes Available: 100; 125



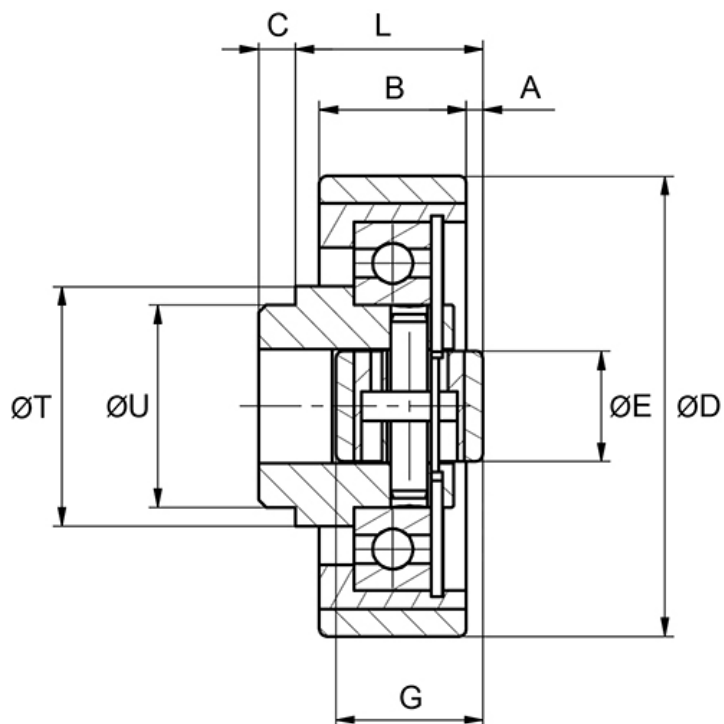
General Data

FA = System Load Capacity Axial
 FR = System Load Capacity Radial
 Ca = Dynamic Load Capacity Axial
 C = Dynamic Load Capacity Radial



Designation	System Load Capacity Radial (N)	System Load Capacity Axial (N)
PAS100.0200	2500	900
PAS125.0200	6000	1300

Dimensions



Designation	A	B	C	D	E	G	L	T	U
PAS100.0200	6.5	25	8	101.2	15	40	41	51	45
PAS125.0200	4.5	40	10	125	30	40	51	65	55

PAS ---.0360

- Polyamide roller combined – fixed with oilamide sliding block
- Lubricated for lifetime
- High abrasion resistance
- Low friction
- High chemical resistance to alcohol, salts, greases and certain acids and alkalis in diluted concentration.

Reduction of value by speed of:

- 1 m/sec: 0%
- 2 m/sec: -20%
- 3 m/sec: -30%

Use profile UP---.0730. See Fixing element rectangular and square.

Order example: Roller + fixing plate PAS040.0360/BQ
1000

Roller Ø 40 mm - welded with mounting element 50 mm x
50 mm x 8 mm

Dimensions in mm.

Temperature: Maximum working temperature 80° C.

Speed: Travel speed up to 5 m/sec

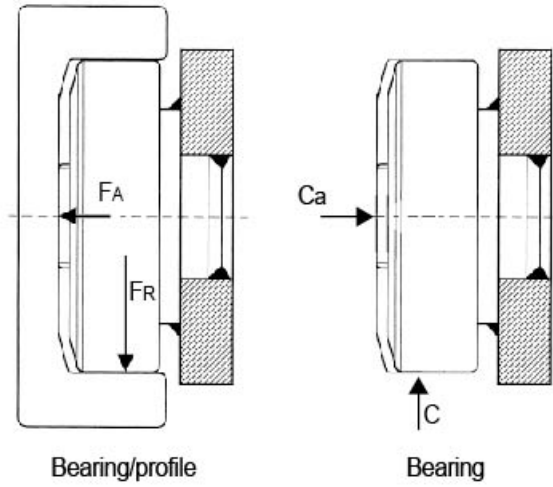
Roller Type: Polyamide

Sizes Available: 40; 50; 60; 100



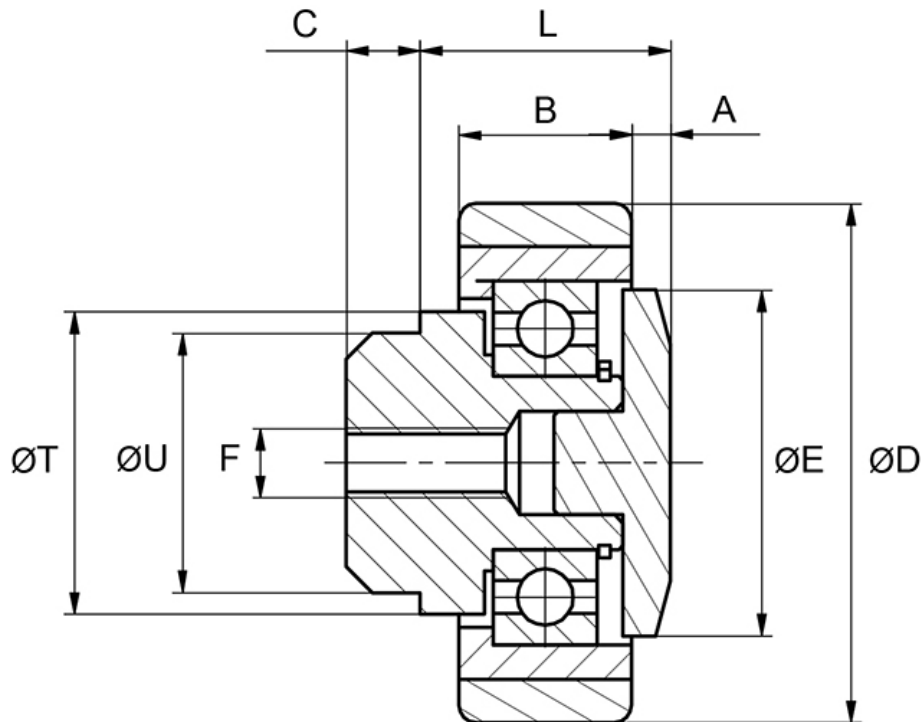
General Data

FA = System Load Capacity Axial
 FR = System Load Capacity Radial
 Ca = Dynamic Load Capacity Axial
 C = Dynamic Load Capacity Radial



Designation	System Load Capacity Radial (N)	System Load Capacity Axial (N)	Profile
PAS040.0360	900	400	UP---.0730
PAS050.0360	1200	400	UP---.0730
PAS060.0360	1500	600	UP---.0730
PAS100.0360	2500	600	UP---.0730

Dimensions



Designation	A	B	C	D	E	F	L	T	U
PAS040.0360	2.8	15	2.8	40	20	M6	24	25	20
PAS050.0360	5	15	5	52.5	31	M8	27	35	30
PAS060.0360	4.5	18	8.5	62.5	40	M8	29	35	30
PAS100.0360	6.3	25	8	101.2	64	—	41	50	45

PSAS ---.6200

- Polyamide roller combined – fixed axial roller with higher load capacity
- Lubricated for lifetime
- High abrasion resistance
- Low friction
- High chemical resistance to alcohol, salts, greases and certain acids and alkalis in diluted concentration.

Reduction of value by speed of:

1 m/sec: 0%

2 m/sec: -20%

3 m/sec: -30%

Use profile UP---.0730

Order example: Roller + fixing plate PAS040.0360/BQ1000
Roller Ø 40 mm - welded with mounting element 50 mm x
50 mm x 8 mm

Dimensions in mm.

Temperature: Maximum working temperature 80° C

Speed: Travel speed up to 5 m/sec

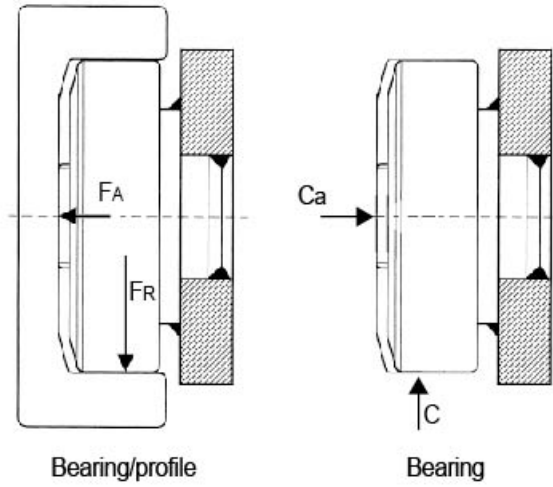
Roller Type: Polyamide

Sizes Available: 60; 100; 125; 145; 160; 180



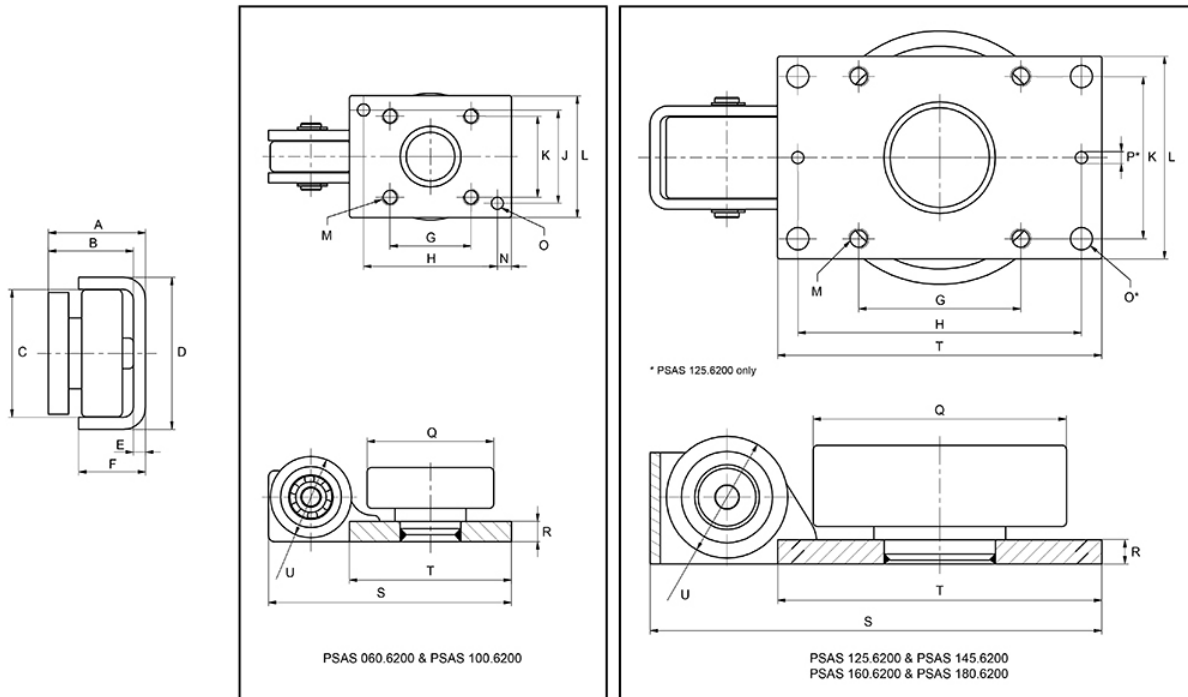
General Data

FA = System Load Capacity Axial
 FR = System Load Capacity Radial
 Ca = Dynamic Load Capacity Axial
 C = Dynamic Load Capacity Radial



Designation	System Load Capacity Radial (N)	System Load Capacity Axial (N)	Profile
PSAS060.6200	1500	900	UP---.0730
PSAS100.6200	2500	1800	UP---.0730
PSAS125.6200	6000	2500	UP---.0730
PSAS145.6200	8000	5000	UP---.0730
PSAS160.6200	10000	5000	UP---.0730
PSAS180.6200	15000	6500	UP---.0730

Dimensions



Designation	A	B	C	D	E	F	G	H	J
PSAS060.6200	48	42	63	75	6	33	40	66	46
PSAS100.6200	57	51	102	114	6	40	80	105	80
PSAS125.6200	71	63	126	142	8	56	80	140	—
PSAS145.6200	96	88	146	162	8	65	130	—	—
PSAS160.6200	96	88	159	175	8	73	140	—	—
PSAS180.6200	98	88	180	200	10	70	160	—	—

Designation	K	L	M	N	O	P	Q	R	S	T
PSAS060.6200	40	60	4 x M8	7	2 x Ø6	—	62.5	10	120	80
PSAS100.6200	80	100	4 x M10	7.5	2 x Ø6	—	101.2	10	160	120
PSAS125.6200	80	100	4 x M10	—	4 x Ø11	2 x Ø6	125	12	223	160
PSAS145.6200	90	120	4 x M16	—	—	—	145	20	263	180
PSAS160.6200	90	120	4 x M16	—	—	—	158	20	273	190
PSAS180.6200	90	120	4 x M16	—	—	—	179	20	295	210

Designation	U
PSAS060.6200	40
PSAS100.6200	40
PSAS125.6200	60
PSAS145.6200	80
PSAS160.6200	80
PSAS180.6200	80

TR---.0390

- Combined – fixed with oilamide sliding block
- Completely made of 1.4301 stainless steel with bearing bush out of synthetic material

Use profile UP---.0780

Fixing square element BQ---.4000

Rectangular fixing element BR---.4100

For the adjustment of the axial clearance (A) distance rings will be used.

Order example: TR080.0390

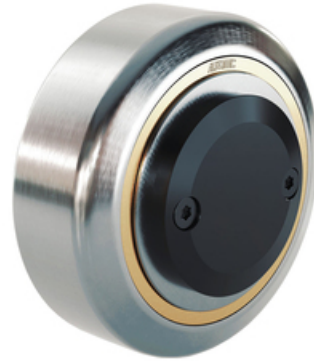
Roller, stainless, Ø 77,7 mm

Note! System Load Capacity refers to capacity of both rail and bearing. Dynamic Load Capacity refers to bearing.

Dimensions in mm.

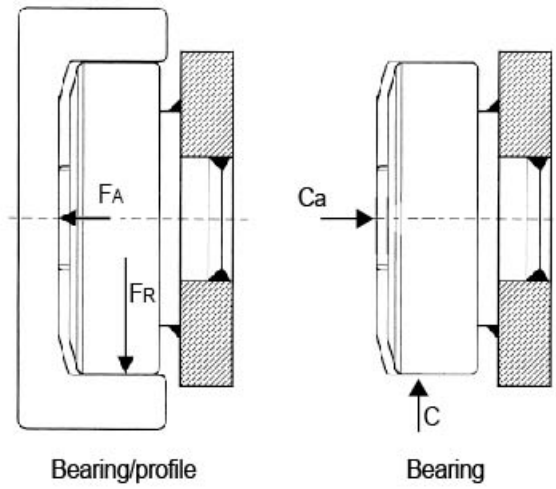
Roller Type: Stainless

Sizes Available: 50; 70; 80



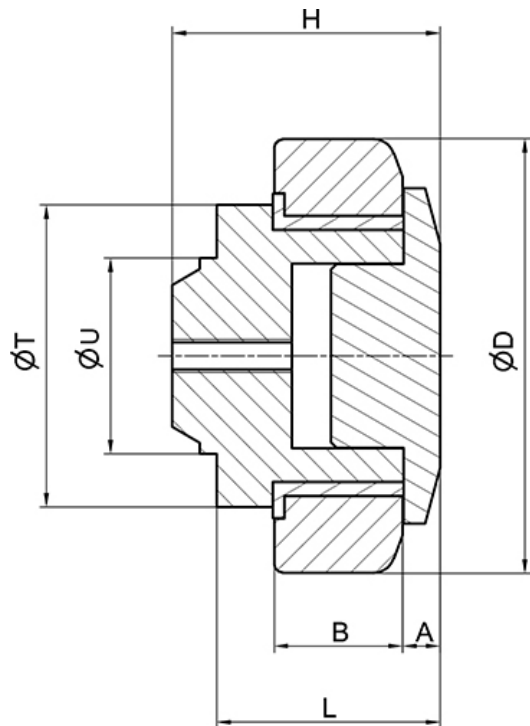
General Data

FA = System Load Capacity Axial
 FR = System Load Capacity Radial
 Ca = Dynamic Load Capacity Axial
 C = Dynamic Load Capacity Radial



Designation	System Load Capacity Radial (N)	System Load Capacity Axial (N)	Dynamic Load Capacity Radial (N)	Profile
TR050.0390	3500	2000	3700	UP---.0780
TR070.0390	6000	3000	7000	UP---.0780
TR080.0390	7200	4000	7500	UP---.0780

Dimensions



Designation	A	B	D	H	L	T	U
TR050.0390	5	17	52.5	33	28	42	30
TR070.0390	6.5	23	70.1	48	40	54	35
TR080.0390	7	23	77.7	50.5	39.5	54	40

STR---.4200

Plate, yoke and outside of roller made entirely in stainless steel 1.4301.

Stainless, sealed and lubricated for life rolling bearings inside the rollers.

Use profile UP---.0780

Dimensions in mm.

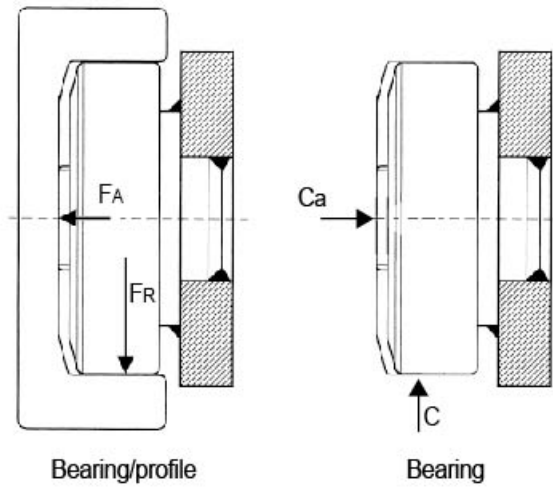
Roller Type: Stainless

Sizes Available: 50; 70; 80



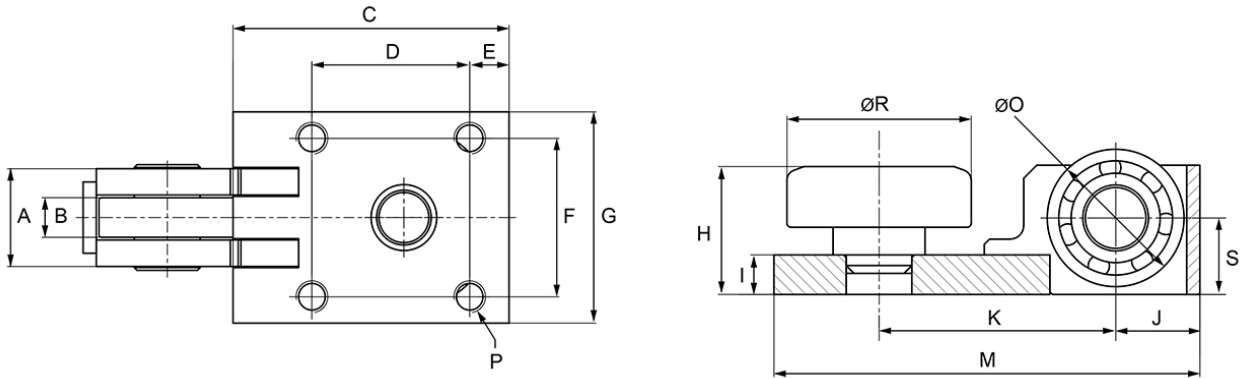
General Data

FA = System Load Capacity Axial
 FR = System Load Capacity Radial
 Ca = Dynamic Load Capacity Axial
 C = Dynamic Load Capacity Radial



Designation	System Load Capacity Radial (N)	System Load Capacity Axial (N)	Profile
STR050.4200	3500	2000	UP---.0780
STR070.4200	6000	3000	UP---.0780
STR080.4200	7200	3000	UP---.0780

Dimensions



Designation	A	B	C	D	E	F	G	H	I
STR050.4200	33	12	72	40	10	30	50	37.9	15
STR070.4200	37	15	105	60	15	60	80	48.5	15
STR080.4200	37	15	105	60	15	60	80	48.5	15

Designation	J	K	M	N	O	P	R	S
STR050.4200	21	62	113	43	Ø 40	4 x M8	Ø 52.5	23
STR070.4200	32	90	162	55	Ø 52	4 x M12	Ø 70.1	29
STR080.4200	32	90	162	55	Ø 52	4 x M12	Ø 77.7	29

XTR---.0200

- Up to 60% higher load capacity
- Extra sustainable
- Extra exact
- Extra strong
- Extra long-lasting

Use profile XUP---.0700

Fixing square element BQ---.1000

Rectangular fixing element BR---.1100

Note! System Load Capacity refers to capacity of both rail and bearing. Dynamic Load Capacity refers to bearing.

Dimensions in mm.

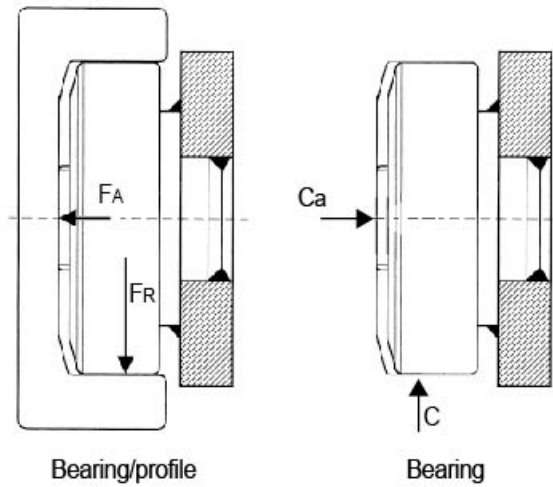
Roller Type: Heavy

Sizes Available: 60; 70; 80; 90; 110; 120; 150



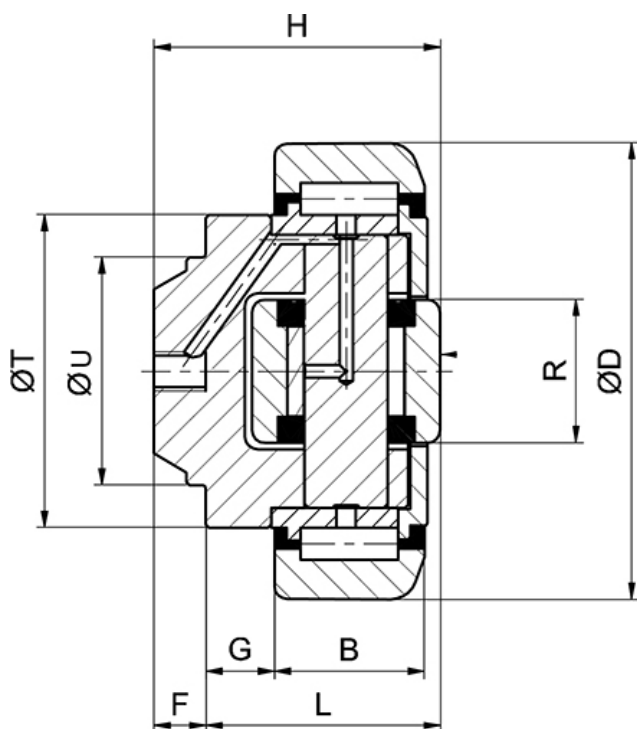
General Data

FA = System Load Capacity Axial
 FR = System Load Capacity Radial
 Ca = Dynamic Load Capacity Axial
 C = Dynamic Load Capacity Radial



Designation	System Load Capacity Radial (N)	System Load Capacity Axial (N)	Dynamic Load Capacity Axial (N)	Dynamic Load Capacity Radial (N)	Profile
XTR060.0200	15390	3800	11000	31000	XUP---.0700
XTR070.0200	16430	4100	13000	45500	XUP---.0700
XTR080.0200	18210	6500	18000	48000	XUP---.0700
XTR090.0200	31680	6600	23000	68000	XUP---.0700
XTR110.0200	34850	11500	31000	81000	XUP---.0700
XTR120.0200	47430	12700	43000	110000	XUP---.0700
XTR150.0200	82190	22600	68000	151000	XUP---.0700

Dimensions



Designation	B	D	F	G	H	L	R	T	U
XTR060.0200	20	65.5	7	9	37.5	30.5	20	42	30
XTR070.0200	23	73.8	8	10.5	44	36	22	48	35
XTR080.0200	23	81.7	11.5	10.5	48	36.5	24	54	40
XTR090.0200	30	92.4	13	10.5	57	44	26	59	45
XTR110.0200	31	111.4	14	20	69	55	34	71	60
XTR120.0200	37	126.8	16.3	14	72.3	56	40	80	60
XTR150.0200	45	153.1	20	8.5	78.5	58.5	50	103	60

XTR---.0300

- Combined – adjustable with insert washer
- Extra sustainable
- Extra exact
- Extra strong
- Extra long-lasting
- Adjustment of dimension A by using a shim

Use profile XUP---.0700

Fixing square element BQ---.1000

Rectangular fixing element BR---.1100

Note! System Load Capacity refers to capacity of both rail and bearing. Dynamic Load Capacity refers to bearing.

Dimensions in mm.

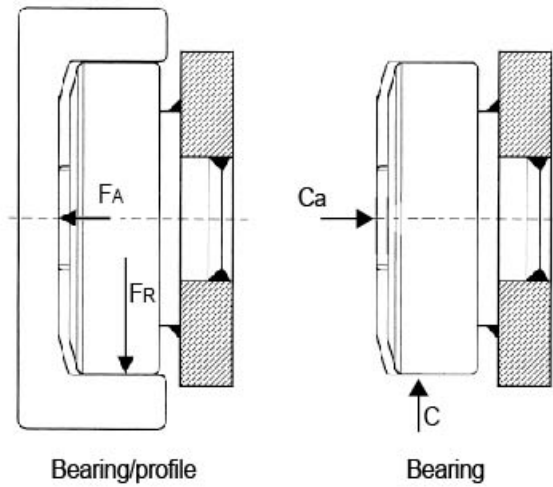
Roller Type: Heavy

Sizes Available: 60; 70; 80; 90; 110; 120; 150



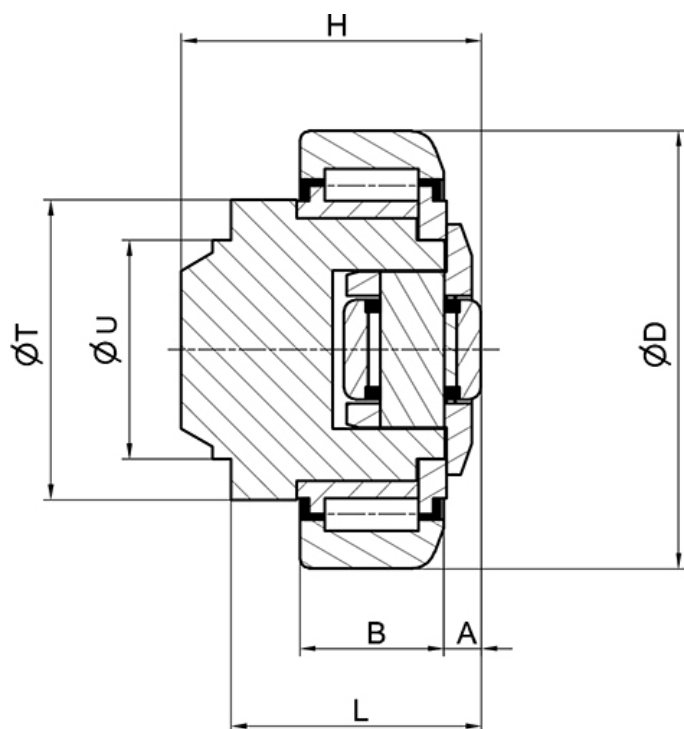
General Data

FA = System Load Capacity Axial
 FR = System Load Capacity Radial
 Ca = Dynamic Load Capacity Axial
 C = Dynamic Load Capacity Radial



Designation	System Load Capacity Radial (N)	System Load Capacity Axial (N)	Dynamic Load Capacity Axial (N)	Dynamic Load Capacity Radial (N)	Profile
XTR060.0300	15390	3800	8000	31000	XUP---.0700
XTR070.0300	16430	4100	13000	45500	XUP---.0700
XTR080.0300	18210	6500	14000	48000	XUP---.0700
XTR090.0300	31680	6600	15000	68000	XUP---.0700
XTR110.0300	34850	11500	31000	81000	XUP---.0700
XTR120.0300	47430	12700	31000	110000	XUP---.0700
XTR150.0300	82190	22600	68000	151000	XUP---.0700

Dimensions



Designation	A	B	D	H	L	T	U
XTR060.0300	5.5	20	65.5	43	33	42	30
XTR070.0300	6.5	23	73.8	48	40	48	35
XTR080.0300	7	23	81.7	50.5	39.5	54	40
XTR090.0300	7	30	92.4	61	48	59	45
XTR110.0300	8	31	111.4	69	55	71	60
XTR120.0300	8	37	126.8	75.8	59.5	80	60
XTR150.0300	15	45	153.1	89	69	103	60

XSTR---.6200

- Axial roller with 35% higher load capacity.
- Extra sustainable
- Extra exact
- Extra strong
- Extra long-lasting
- Special dimensions on request

Use profile XUP---.0700

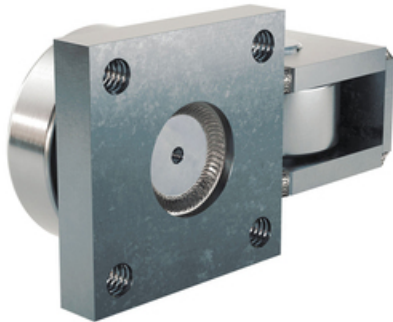
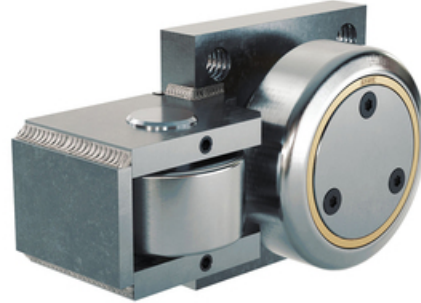
Order example: XSTR080.6200

Heavy roller XSTR080.6200

Dimensions in mm.

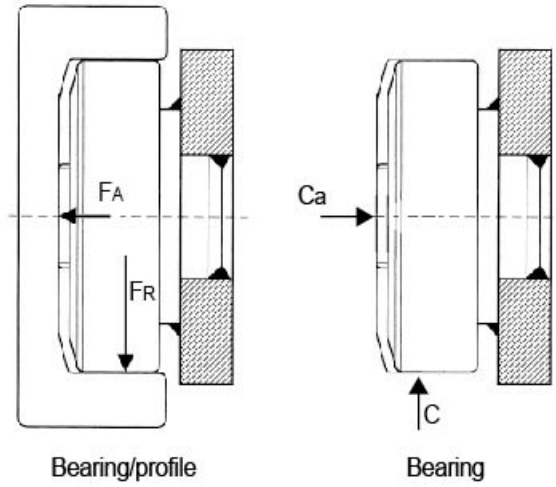
Roller Type: Heavy

Sizes Available: 60; 70; 80; 90; 110; 120; 150



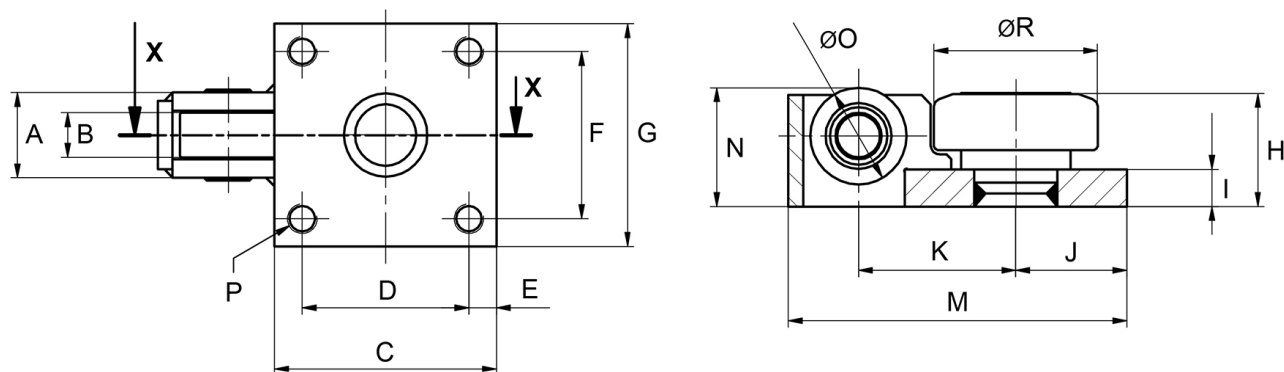
General Data

FA = System Load Capacity Axial
 FR = System Load Capacity Radial
 Ca = Dynamic Load Capacity Axial
 C = Dynamic Load Capacity Radial



Designation	System Load Capacity Radial (N)	System Load Capacity Axial (N)	Profile
XSTR060.6200	15390	9000	XUP---.0700
XSTR070.6200	16430	14000	XUP---.0700
XSTR080.6200	18210	14000	XUP---.0700
XSTR090.6200	31680	17000	XUP---.0700
XSTR110.6200	34850	27000	XUP---.0700
XSTR120.6200	47430	27000	XUP---.0700
XSTR150.6200	82190	27000	XUP---.0700

Dimensions



Designation	A	B	C	D	E	F	G	H	I
XSTR060.6200	38	20	70	50	10	50	70	41.5	12
XSTR070.6200	42	24	80	60	10	60	80	49	15
XSTR080.6200	46	24	100	70	15	70	100	48.5	15
XSTR090.6200	46	24	120	90	15	90	120	61	20
XSTR110.6200	54	28	140	100	20	100	140	71.5	20
XSTR120.6200	54	28	140	100	20	100	140	71.5	20
XSTR150.6200	54	28	160	120	20	120	160	79	25

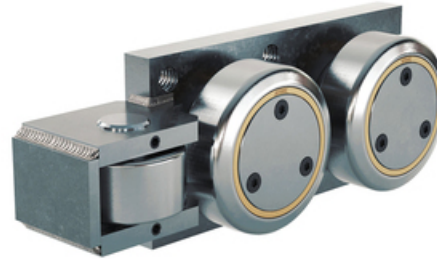
Designation	J	K	M	N	O	P	R
XSTR060.6200	35	55	118	42.5	Ø 40	4 x M10	Ø 65.5
XSTR070.6200	40	65	137	51	Ø 47	4 x M12	Ø 73.8
XSTR080.6200	50	75	157	51.5	Ø 47	4 x M12	Ø 81.7
XSTR090.6200	60	85	183	64	Ø 52	4 x M16	Ø 92.4
XSTR110.6200	70	105	223	75	Ø 72	4 x M16	Ø 111.4
XSTR120.6200	70	107	225	76	Ø 72	4 x M16	Ø 126.8
XSTR150.6200	80	80	248	83.5	Ø 72	4 x M16	Ø 153.1

SFE---.5200

Heavy duty guideway unit axial bearing with 40 % higher load capacity
Excentric bearing adjustable to minimize clearance.
Lubricated for lifetime.
Special dimensions on request.

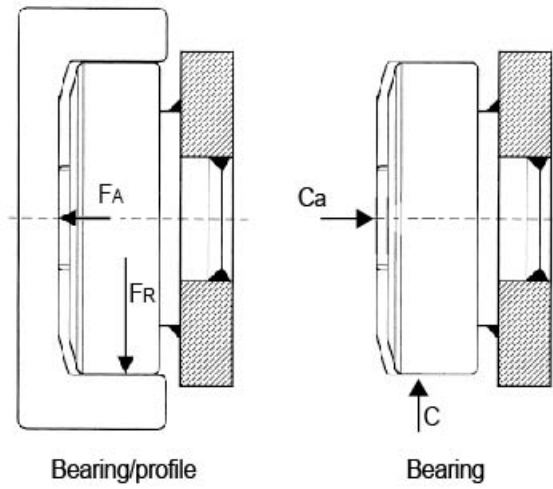
Dimensions in mm.

Sizes Available: 60; 70; 80; 90; 110; 120; 150



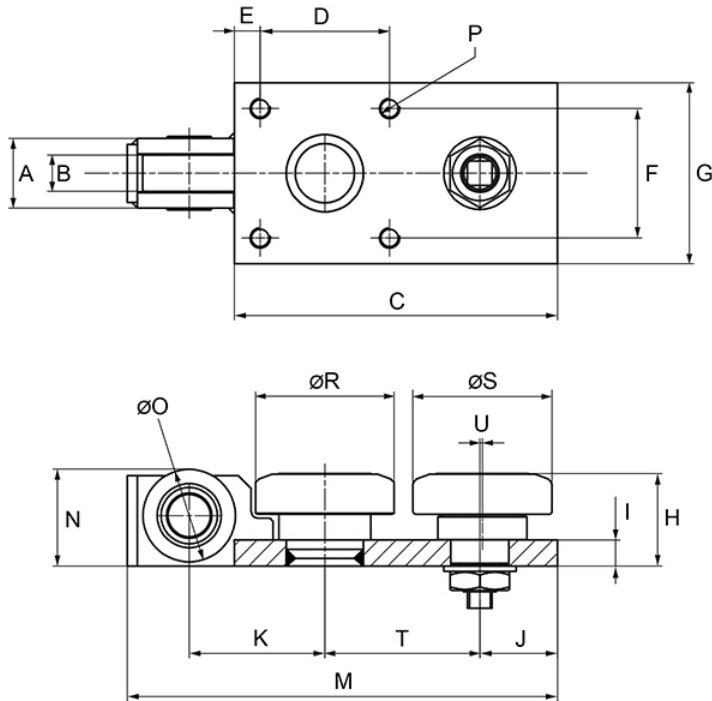
General Data

FA = System Load Capacity Axial
 FR = System Load Capacity Radial
 Ca = Dynamic Load Capacity Axial
 C = Dynamic Load Capacity Radial



Designation	System Load Capacity Radial (N)	System Load Capacity Axial (N)
SFE060.5200	8870	7000
SFE070.5200	11400	11000
SFE080.5200	12870	11000
SFE090.5200	20370	13000
SFE110.5200	24060	20000
SFE120.5200	33440	20000
SFE150.5200	51940	20000

Dimensions



Designation	A	B	C	D	E	F	G	H	I
SFE060.5200	38	20	140	50	10	50	70	41.5	12
SFE070.5200	42	24	160	60	10	60	80	49	15
SFE080.5200	46	24	180	70	15	70	100	48.5	15
SFE090.5200	45	24	210	90	15	90	120	61	20
SFE110.5200	54	28	250	100	20	100	140	71.5	20
SFE120.5200	54	28	280	100	20	100	140	71.5	20
SFE150.5200	54	28	325	120	20	120	160	79	25

Designation	J	K	M	N	O	P	R	S	T	U
SFE060.5200	35	55	188	42.5	40	4xM10	62.5	62.7	70	2
SFE070.5200	40	65	217	51	47	4xM12	70.1	70.1	80	2
SFE080.5200	45	75	237	51.5	47	4xM12	77.7	77.7	85	2
SFE090.5200	50	85	273	64	52	4xM16	88.4	88.4	100	2
SFE110.5200	60	105	333	75	72	4xM16	107.1	107.7	120	2
SFE120.5200	70	107	365	76	72	4xM16	123	123	140	2
SFE150.5200	80	80	-	83.5	72	4xM16	149	149	165	3

BQ---.1000

- The fixing element is welded with the respective combined roller
- Special dimensions on request.

* For L measurement, see respective roller.

Order example: Roller + Mounting plate

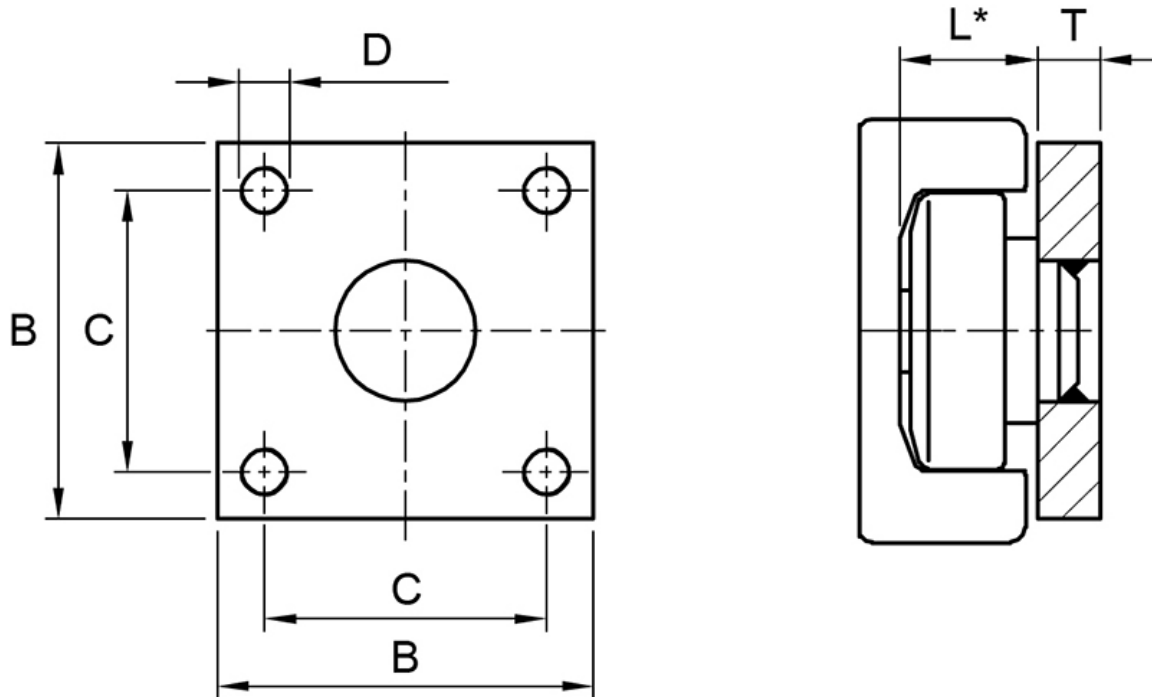
TR070.0200/BQ1000

Roller, combined, fixed, Ø 70,1 mm - welded with mounting plate 120 x 80 x 15 mm

Dimensions in mm.



Dimensions



Designation	Remark	B	D	C	T
50-BQ1000	Roller: TR050.---, Plate: BQ1000, Distance sheet: BQ050.1405, BQ050.1410	60	M8	40	10
60-BQ1000	Roller: TR060.--- / XTR060---, Plate: BQ1000, Distance sheet: BQ060.1405, BQ060.1410	70	M10	50	12
70-BQ1000	Roller: TR070.--- / XTR070---, Plate: BQ1000, Distance sheet: BQ070.1405, BQ070.1410	80	M12	60	15
80-BQ1000	Roller: TR080.--- / XTR080---, Plate: BQ1000, Distance sheet: BQ080.1405, BQ080.1410	100	M12	70	15
90-BQ1000	Roller: TR090.--- / XTR090---, Plate: BQ1000, Distance sheet: BQ090.1405, BQ090.1410	120	M16	90	20
110-BQ1000	Roller: TR110.--- / XTR110---, Plate: BQ1000, Distance sheet: BQ110.1405, BQ110.1410	140	M16	100	20
120-BQ1000	Roller: TR120.--- / XTR120---, Plate: BQ1000, Distance sheet: BQ120.1405, BQ120.1410	140	M16	100	20

Dimensions

Designation	Remark	B	D	C	T
150-BQ1000	Roller: TR150.--- / XTR150---, Plate: BQ1000, Distance sheet: BQ150.1405, BQ150.1410	160	M16	120	25
180-BQ1000	Roller: TR180.---, Plate: BQ1000, Distance sheet: BQ180.1405, BQ180.1410	200	M20	150	30

BQ---.4000

- The fixing element is welded with the respective combined roller

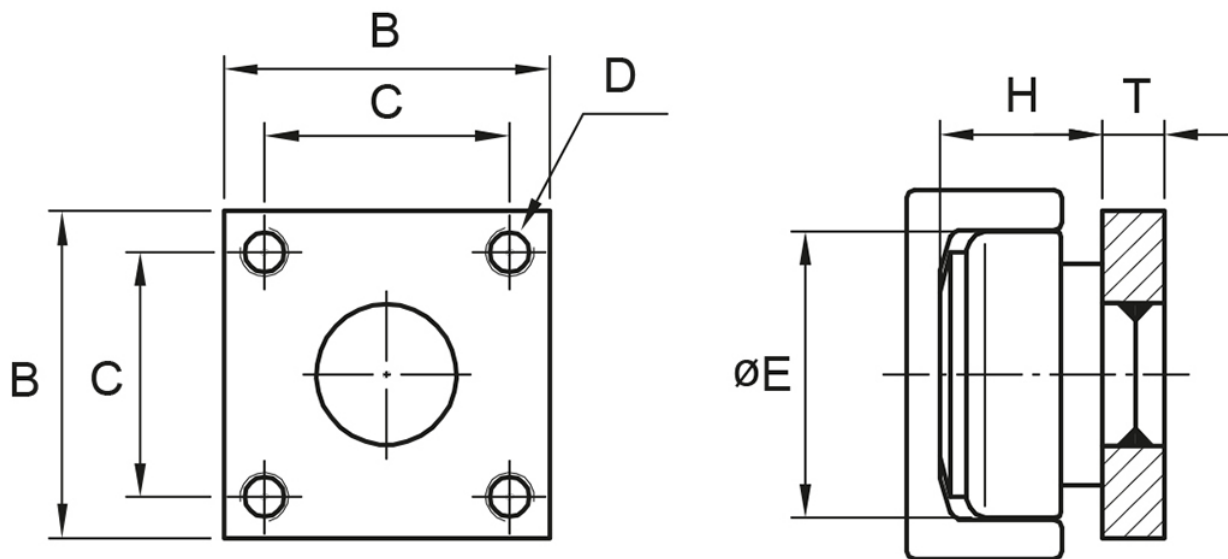
Order example: Roller + fixing element
TR080.0390/BQ4000

Roller, adjustable, Ø 77,7 mm, INOX - welded to mounting
plate 120 x 80 x 15 mm, INOX

Dimensions in mm.



Dimensions



Designation	Remark	B	H	D	C	T	E
50-BQ4000	Roller: TR050.0390	60	28	M8	40	10	52.5
70-BQ4000	Roller: TR070.0390	80	40	M12	60	15	70.1
80-BQ4000	Roller: TR080.0390	80	39.5	M12	60	15	77.7

BR---.1100

- The fixing element is welded with the respective combined roller
- Special dimensions on request.

* For L measurement, see respective roller.

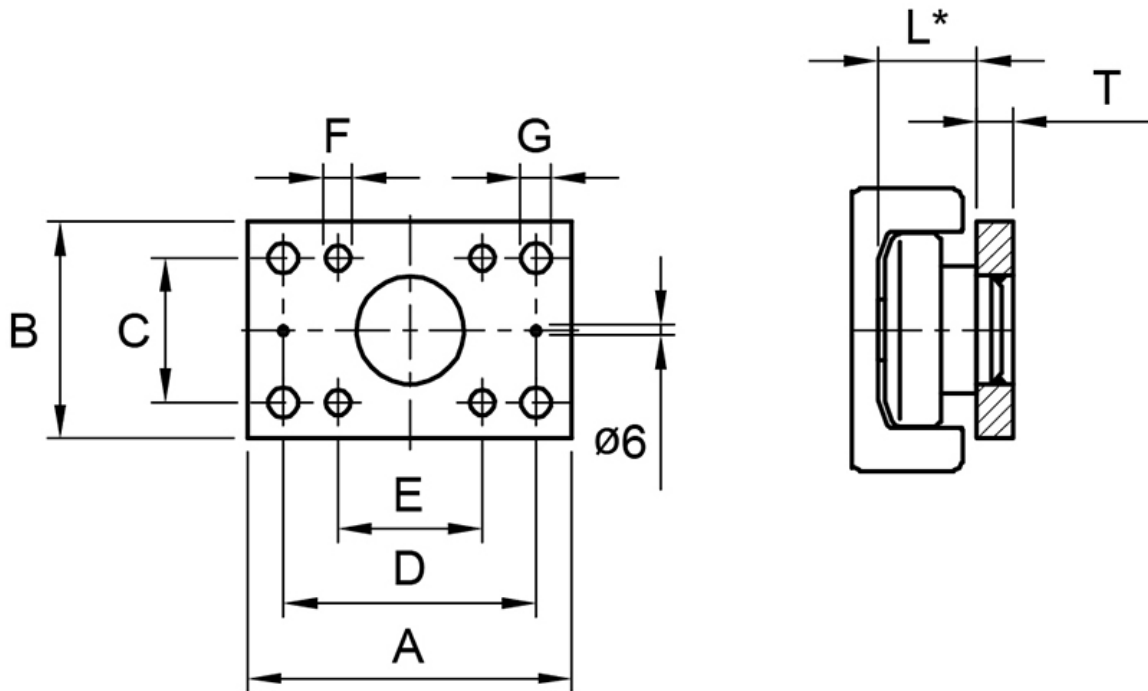
Order example: Roller + fixing element TR070.0200/BR1100

Roller, combined, fixed, Ø 70,1 mm - welded with mounting plate 120 x 80 x 15 mm

Dimensions in mm.



Dimensions



Designation	Remark	G	A	B	D	F	C	T	E
50-BR1100	Roller: TR050.---, Plate: BR1100, Distance sheet: BR050.1505, BR050.1510	10.5	100	60	80	M10	40	10	40
60-BR1100	Roller: TR060.--- / XTR060.---, Plate: BR1100, Distance sheet: BR060.1505, BR060.1510	10.5	100	60	80	M10	40	10	40
70-BR1100	Roller: TR070.--- / XTR070.---, Plate: BR1100, Distance sheet: BR070.1505, BR070.1510	13	120	80	90	M12	50	15	50
80-BR1100	Roller: TR080.--- / XTR080.---, Plate: BR1100, Distance sheet: BR080.1505, BR080.1510	13	120	80	90	M12	50	15	50

Dimensions

Designation	Remark	G	A	B	D	F	C	T	E
90--BR1100	Roller: TR090.--- / XTR090.---, Plate: BR1100, Distance sheet: BR090.1505, BR090.1510	17	160	100	120	M16	60	20	60
110-BR1100	Roller: TR110.--- / XTR110.---, Plate: BR1100, Distance sheet: BR110.1505, BR110.1510	17	180	120	140	M16	80	20	80
120-BR1100	Roller: TR120.--- / XTR120.---, Plate: BR1100, Distance sheet: BR120.1505, BR120.1510	17	180	120	140	M16	80	20	80
150-BR1100	Roller: TR150.--- / XTR150.---, Plate: BR1100, Distance sheet: BR150.1505, BR150.1510	17	200	150	160	M16	100	20	100

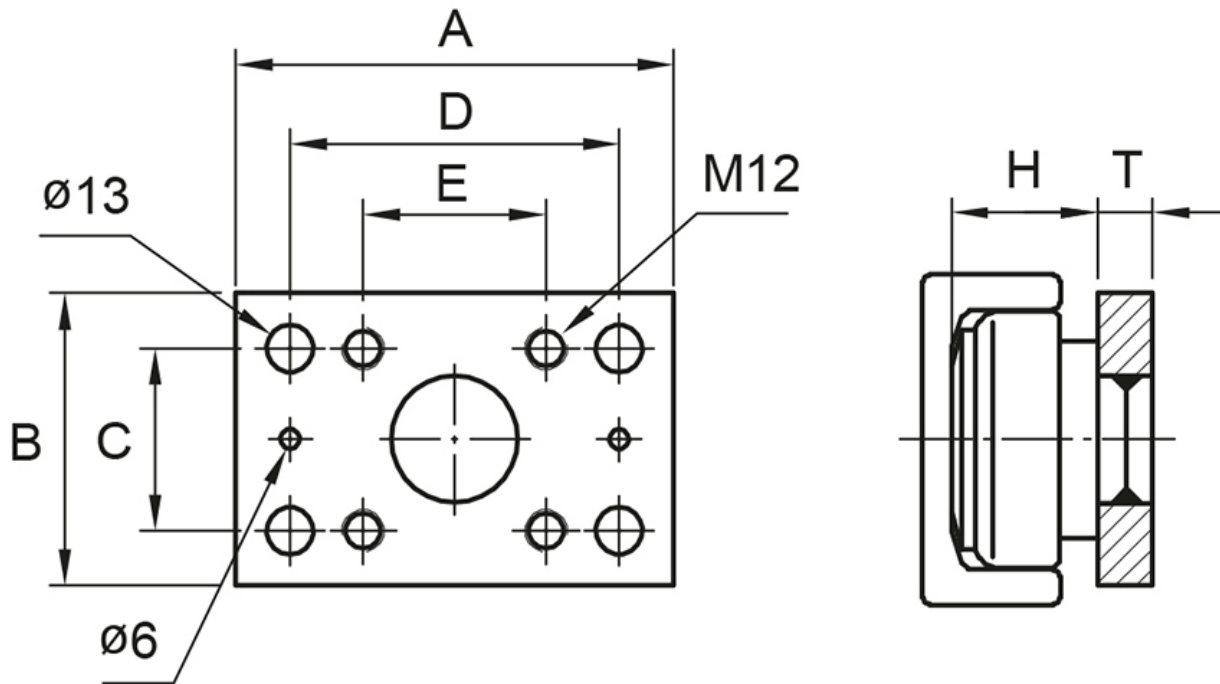
BR---.4100

- The fixing element is welded with the respective combined roller.

Dimensions in mm.



Dimensions



Designation	Remark	A	B	H	D	C	T	E
70-BR4100	Roller: TR070.0390	120	80	40	90	50	15	50
80-BR4100	Roller: TR080.0390	120	80	39.5	60	50	15	50

Distance Sheet BQ

Material: Steel / stainless steel



General Data

Designation	Remark	Material
BQ050.1405	0.5 mm thick	Steel
BQ060.1405	0.5 mm thick	Steel
BQ070.1405	0.5 mm thick	Steel
BQ080.1405	0.5 mm thick	Steel
BQ090.1405	0.5 mm thick	Steel
BQ110/120.1405	0.5 mm thick	Steel
BQ120.1405	0.5 mm thick	Steel
BQ150.1405	0.5 mm thick	Steel
BQ050.1410	1.0 mm thick	Steel
BQ060.1410	1.0 mm thick	Steel
BQ070.1410	1.0 mm thick	Steel
BQ080.1410	1.0 mm thick	Steel
BQ090.1410	1.0 mm thick	Steel
BQ110/120.1410	1.0 mm thick	Steel
BQ120.1410	1.0 mm thick	Steel
BQ050.4405	0.5 mm thick	Stainless steel
BQ070/080.4405	0.5 mm thick	Stainless steel
BQ080.4405	0.5 mm thick	Stainless steel
BQ050.4410	1.0 mm thick	Stainless steel
BQ070/080.4410	1.0 mm thick	Stainless steel
BQ080.4410	1.0 mm thick	Stainless steel

Distance Sheet BR

Material: Steel / stainless steel



General Data

Designation	Remark	Material
BR050/060.1505	0.5 mm thick	Steel
BR060.1505	0.5 mm thick	Steel
BR080.1505	0.5 mm thick	Steel
BR090.1505	0.5 mm thick	Steel
BR120.1505	0.5 mm thick	Steel
BR150.1505	0.5 mm thick	Steel
BR180.1505	0.5 mm thick	Steel
BR050.1510	1.0 mm thick	Steel
BR060.1510	1.0 mm thick	Steel
BR070/080.1510	1.0 mm thick	Steel
BR080.1510	1.0 mm thick	Steel
BR090.1510	1.0 mm thick	Steel
BR110/120.1510	1.0 mm thick	Steel
BR120.1510	1.0 mm thick	Steel
BR180.1510	1.0 mm thick	Steel
BR050.4505	0.5 mm thick	Stainless steel
BR070.4505	0.5 mm thick	Stainless steel
BR080.4505	0.5 mm thick	Stainless steel
BR050.4510	1.0 mm thick	Stainless steel
BR070.4510	1.0 mm thick	Stainless steel
BR080.4510	1.0 mm thick	Stainless steel

Distance Ring

For adjustment of the axial clearance of Stainless Roller
TR---.0390.



General Data

Designation	Remark
DR050.4905	0.5 mm thick
DR070.4905	0.5 mm thick
DR080.4905	0.5 mm thick
DR050.4910	1.0 mm thick
DR070.4910	1.0 mm thick
DR080.4910	1.0 mm thick

KS---.3650

Clamp console for U-profiles and precision U-profiles from size 050 up to 090.

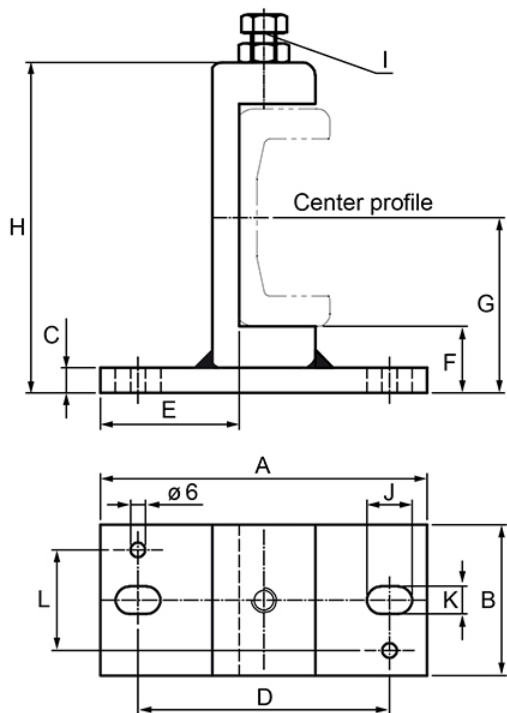
Further sizes and other types are available on request. Please contact Rollco for more information.

Ordering example: KS 060.3650 (Clamp console for U-Profile size 060)

Dimensions in mm.



Dimensions



Designation	G	A	B	H	D	K	F	L	C
KS050.3650	53	100	60	96.5	70	10	20.5	40	10
KS060.3650	69.7	130	60	131.3	100	12	26.4	40	10
KS070.3650	77	130	60	145.4	100	12	25.2	40	10
KS080.3650	92.7	160	80	172.2	130	14	32.1	60	15
KS090.3650	101.5	160	80	190	130	14	33.8	60	15

Designation	E	I	J
KS050.3650	38.5	M8	16
KS060.3650	55.3	M10	18
KS070.3650	51.2	M10	18
KS080.3650	63.4	M12	20
KS090.3650	63.1	M12	20

RA Grease

NLGI grade 1.5

Clear grease based on synthetic oils and PTFE. Will fulfil all severe specifications from bearing manufacturers, industrial applications and vehicle producers. Very suitable for use where long service life is required and desired. The specific rheological properties of the lubricant will give very low good flow properties of the grease at extremely low temperatures, at the same time the high film strength and thickness will guarantee lubrication also at elevated temperatures. The type of PTFE used will adhere strongly to all surfaces lubricated and give a very low friction coefficient. The grease is water resistant, withstands oxidation, has very good mechanical stability, is completely non-toxic and provides a very wide application temperature range.

Temperature: -40 to +260 °C (application range)



General Data

Designation	Remark	Colour	Weight (g)
RA Grease NLGI 1.5	Cartridge package	Translucent white	400 g