

MKS Clamping Element

Pneumatic Clamping element, designed to be used for holding a position when using Linear Rail Guides. Energize to open (NC).

Compatible with Linear Rail SBI only.

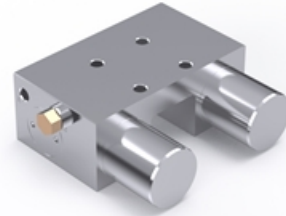
The holding forces may be in-creased by means of a PLUS connection, provided that this is listed under the technical data, by using the pneumatic pressure support of the spring accumulator.

Because of the height difference of different rail guide blocks and to ensure the proper function of the MK Clamping Elements, the use of adapter plates is sometimes needed. See document "Clamping Elements & Accessories" for individual block types and whether an adapter plate is needed.

Dimensions in mm.

More types are available, contact Rollco for further information.

Temperature: -10 - 70°C

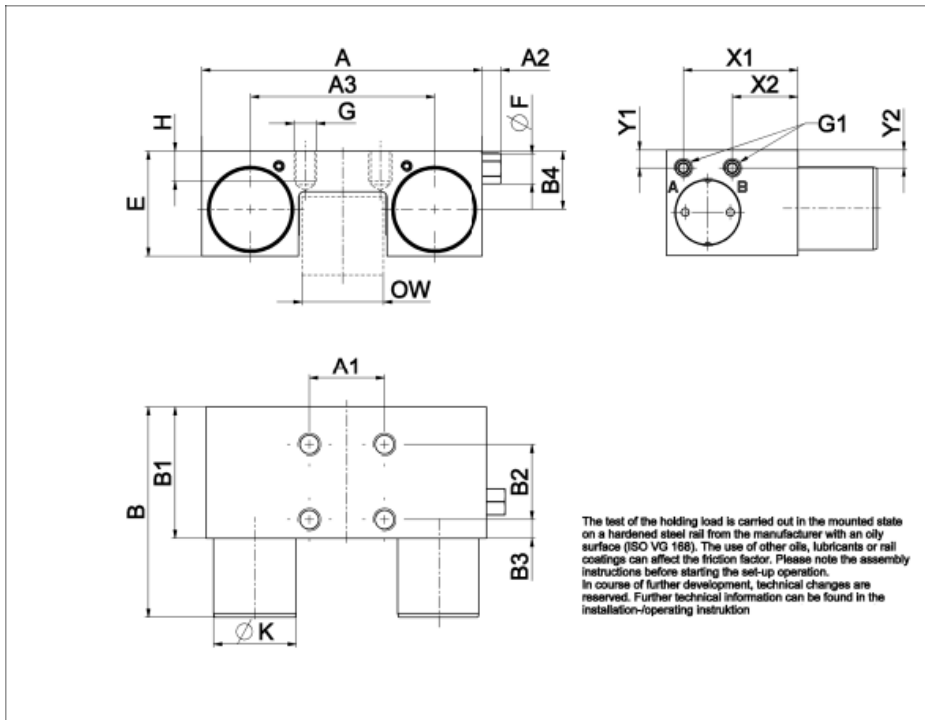


General Data

Designation	Compatible with	Fixing force (N)	Min. operating pressure (bar)	Operating pressure (bar)	Max. Operating Pressure (bar)
MKS1501A	SBI15, SBI15-B	400	5.5	6	6.5
MKS2001A	SBI20, SBI20-B	600	5.5	6	6.5
MKS2501A	SBI25, SBI25-B	750	5.5	6	6.5
MKS3001A	SBI30, SBI30-B	1050	5.5	6	6.5
MKS3501A	SBI35, SBI35-B	2000	5.5	6	6.5
MKS4501A	SBI45, SBI45-B	2250	5.5	6	6.5
MKS5501A	SBI55, SBI55-B	2250	5.5	6	6.5
MKS6501A	SBI65, SBI65-B	1450	5.5	6	6.5

Designation	Installation way	PLUS-connection	Fixing force w. PLUS-connection (N)
MKS1501A	from above	possible	1300
MKS2001A	from above	possible	1300
MKS2501A	from above	possible	1300
MKS3001A	from above	possible	2600
MKS3501A	from above	possible	2200
MKS4501A	from above	possible	3300
MKS5501A	from above	possible	4400
MKS6501A	from above	possible	3300

Dimensions



Designation	OW	D	T	A	C	X	E	A1	A2
MKS1501A	15	24	0	55	2.5	24	21.5	15	5
MKS2001A	20	30	2	66	2.5	28	25.5	20	6
MKS2501A	23	36	2	75	6	34	28	20	5
MKS3001A	28	42	0	90	7	42	35	22	5
MKS3501A	34	48	4	100	7.5	44	36.5	24	5
MKS4501A	45	60	6	120	10.5	54	43.5	26	5
MKS5501A	53	70	6	128	15.5	64	48.5	30	5
MKS6501A	63	90	0	138	27	90	63	30	5

Designation	A3	B	B1	B2	B3	B4	G	H	F	G1 (air connection)
MKS1501A	34	58	39	15	15.5	12	M4	4.5	8	M5
MKS2001A	43	61	39	20	5	14.4	M5	5.5	8	M5
MKS2501A	49	56	35	20	5	15.5	M6	8	8	M5
MKS3001A	58	68	39	22	8.5	20.5	M8	10	8	M5
MKS3501A	68	67	39	24	7.5	20.5	M8	10	8	M5
MKS4501A	78.8	82	49	26	11.5	26.8	M10	15	8	M5
MKS5501A	87	82	49	30	9.5	30.5	M10	18	8	M5
MKS6501A	96.8	82	49	30	9.5	46	M10	15	8	M5

Designation	X1 (air filter horizontal / mm)	Y1 (air filter vertical / mm)	X2 (air connection horizontal / mm)	Y2 (air connection vertical / mm)	K
MKS1501A	34	17	34	5.9	16
MKS2001A	34	6	17.1	6	20

Dimensions

Designation	X1 (air filter horizontal / mm)	Y1 (air filter vertical / mm)	X2 (air connection horizontal / mm)	Y2 (air connection vertical / mm)	K
MKS2501A	30.5	4.7	17.5	4.7	22
MKS3001A	24.5	5.2	14.5	5.2	25
MKS3501A	20	5.5	9	5.2	28
MKS4501A	29.5	11	19.5	11	30
MKS5501A	29.5	14.5	19.5	14.5	30
MKS6501A	37	32	20	30	30