

Corner Bracket Zn 40 Set 90°

Application:

For right-angled fixing of profiles without the need of machining the profiles.

Supply:

Set of Corner Bracket with Plastic Cap. M8 T-nuts, Washers D8 and K6S ISO7380 M8x16 screws included.

Material: GDZn (zinc diecasting), aluminium color

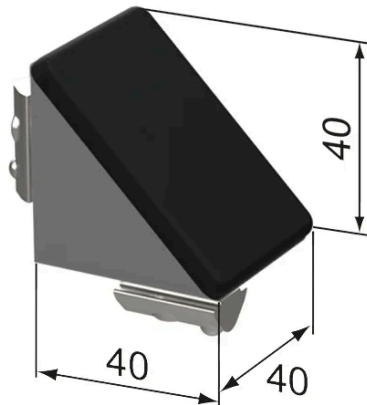
System: 40 - Slot 8

Type: Angles Brackets and Corners; Fasteners

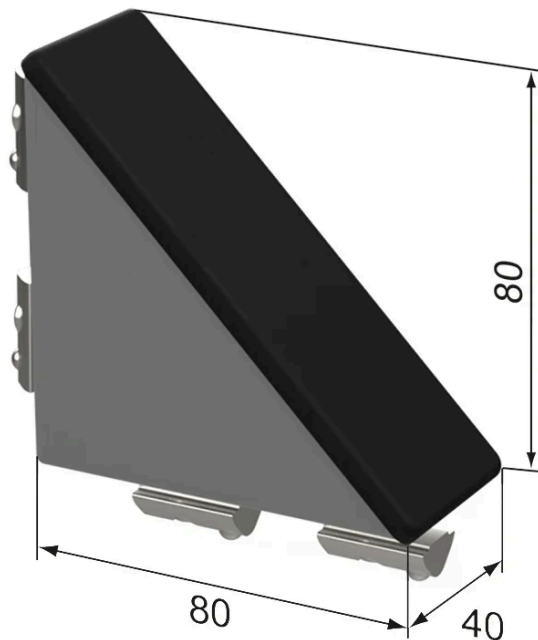




General Data



RA1100



RA1115

Designation	Description	System	Weight (g)	Remark
RA1100	Set Corner Bracket 40 x 40, complete	40 - Slot 8	141	Complete set
RA1115	Set Corner Bracket 40 x 80, complete	40 - Slot 8	388	Complete set