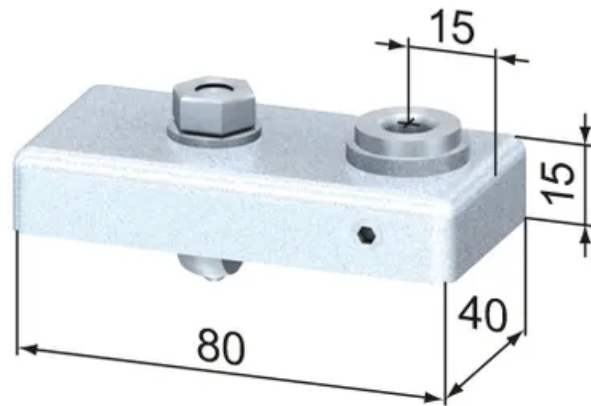


Drill Jig

Application:
Used for positioning the hole for the central fastener housing.

Material: Steel, zinc-plated. Drill bush hardened and ground.

System: 40 - Slot 8



SZ6000V

General Data

Designation	Description	Drill hole	Weight (g)
SZ6000V	Drill Jig 40	Ø12	382