

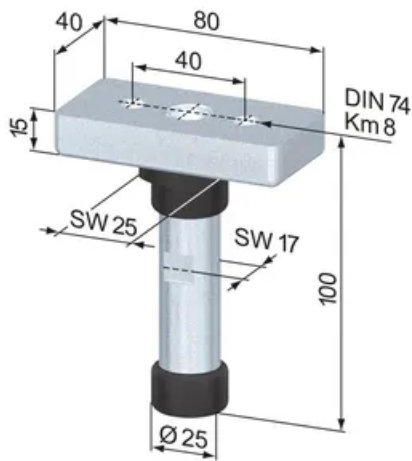
Turntable Sets

Application:

The turntable set forms an ideal unit for creating swivel arms for monitors, control desks, etc. The turntable set 80 is installed in a section of profile 80 x 80 round, 120 mm long, and is supplied complete.

System: 40 - Slot 8

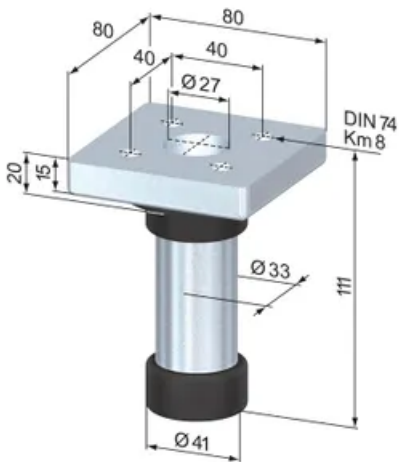




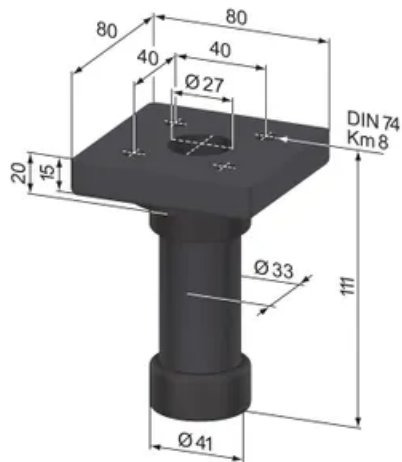
SA5220N



SA5220S



SA5210N



SA5210S



General Data

Designation	Description	Material	Weight (g)
SA5220N	Turntable Set 40, natural	Steel, zinc-plated; POM, black	474
SA5220S	Turntable Set 40, black	Steel, zinc-plated black; POM, black	474
SA5210N	Turntable Set 80, natural	Steel, zinc-plated; POM, black	800
SA5210S	Turntable Set 80, black	Steel, zinc-plated black; POM, black	800