

Hinge 40, steel

Application:

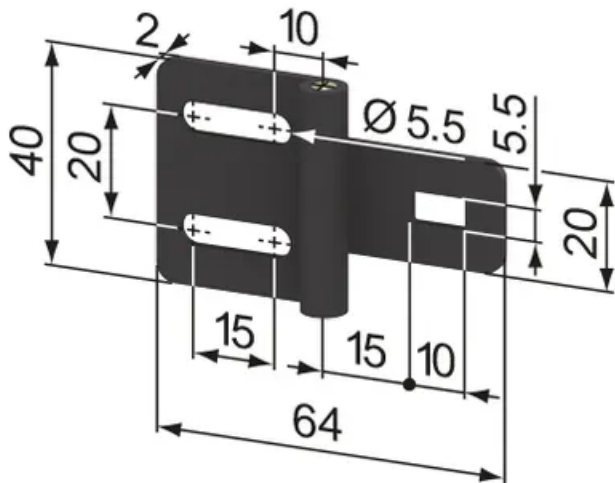
A medium load hinge for machines and protective guardings.

Material: Steel, black

System: 40 - Slot 8

Type: Hinges





General Data

Designation	Description	System	Weight (g)
SZ0760V	Hinge 40, steel	40 - Slot 8	23