

## Hinges 40

**Application:**

A medium to heavy load hinge for machines and protective guardings.

**Supply:**

2x anti-twist set screw

**SZ0788V includes:**

2x special t-nut 2x M 8 / spring-loaded ball

4x button head screw M 8 x 18

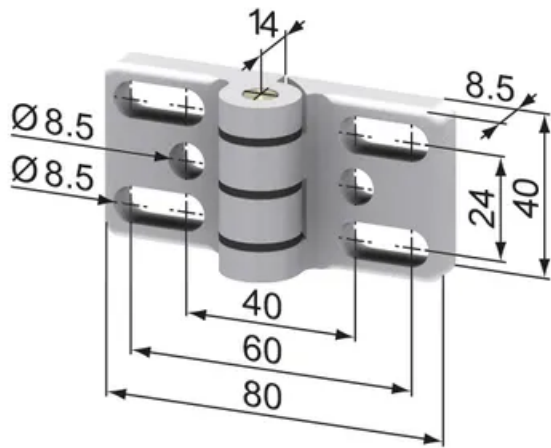
4x washer Ø 8 mm

**Material:** Aluminium, natural anodized, black anodized or GDZn (zinc die casting), black

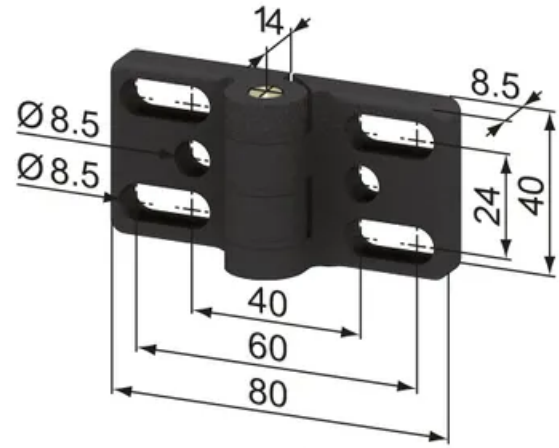
**System:** 40 - Slot 8

**Type:** Hinges

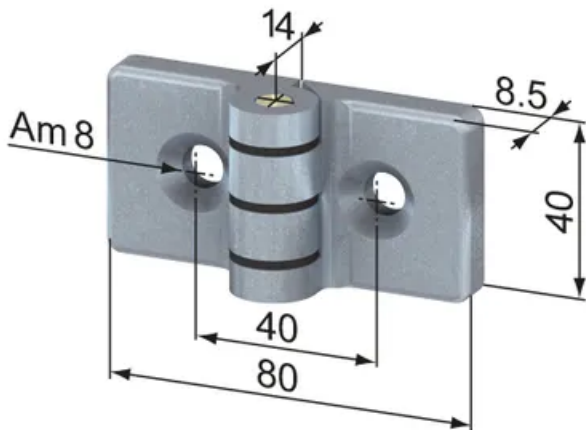




SZ0760N



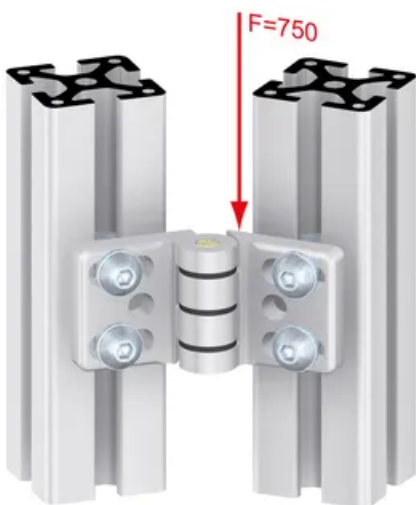
SZ0760S



SZ0762N



SZ0788V



## General Data

Designation	Description	System	Weight (g)
SZ0760N	Hinge 40, natural	40 - Slot 8	83
SZ0760S	Hinge 40, black	40 - Slot 8	84