

## Angle Plate, steel

Universally applicable attachment bracket. Links two aluminium profiles at a right angle.

Mounting material:

M8 × 16 countersunk screw (DIN7991), M8 slot 8 slot nut

**Material:** Steel, black

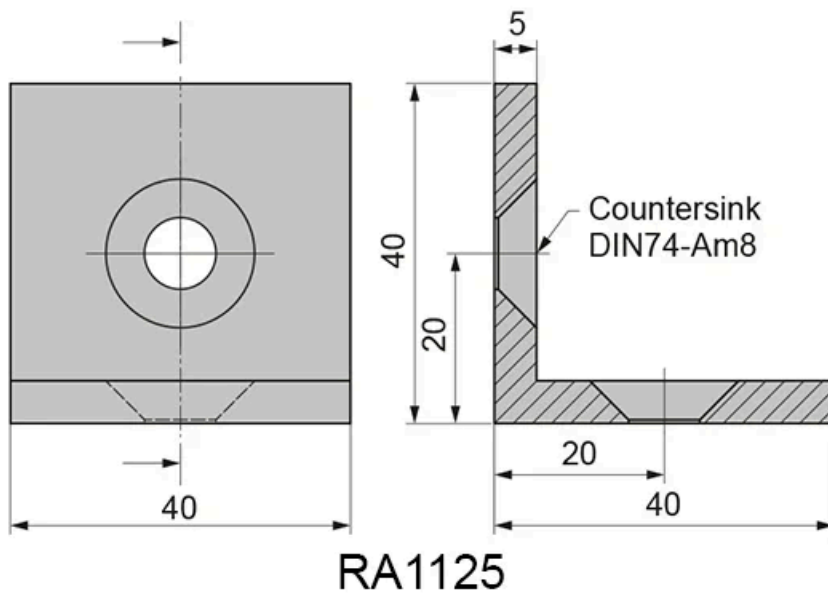
**System:** 40 - Slot 8

**Type:** Angles Brackets and Corners; Fasteners





**General Data**



Designation	Description	System	Fmax (N)	Mmax (Nm)
RA1125	Bracket 40 × 40	40 - Slot 8	1500	50