

Handle Light

Application:

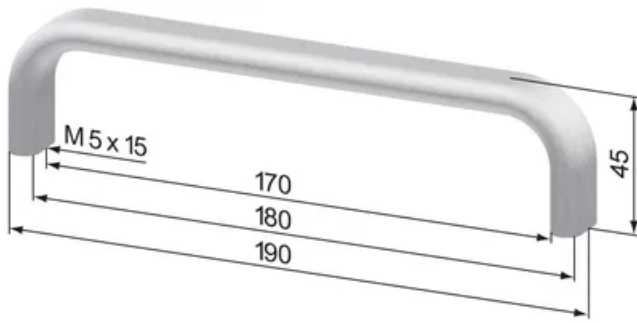
Multi-purpose, e.g. for doors and drawers.

Material: Aluminum, natural anodized

System: 40 - Slot 8

Type: Handles





General Data

Designation	System	Weight (g)
SZ0810N	40 - Slot 8	100