

Double T-Nuts 40/20

Application:

T-nut for swiveling into the groove. Fits into the t-slot at any point. For fixing of foot plates and any other accessories that require a fixing pitch of 40 mm x M8 (20 mm x M6 respectively) thread. Raised area fits into t-slot to stop twisting.

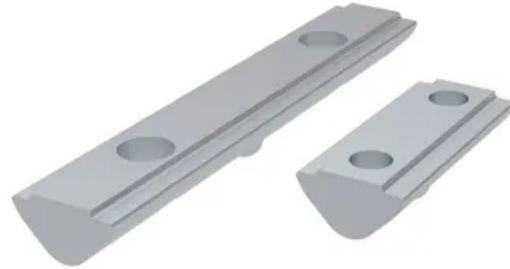
SV2202V: bore hole distance: 40 mm, thread: M8

SV2210V: bore hole distance: 20 mm, thread: M6

Material: Steel, zinc-plated

System: 40 - Slot 8

Type: T-nuts



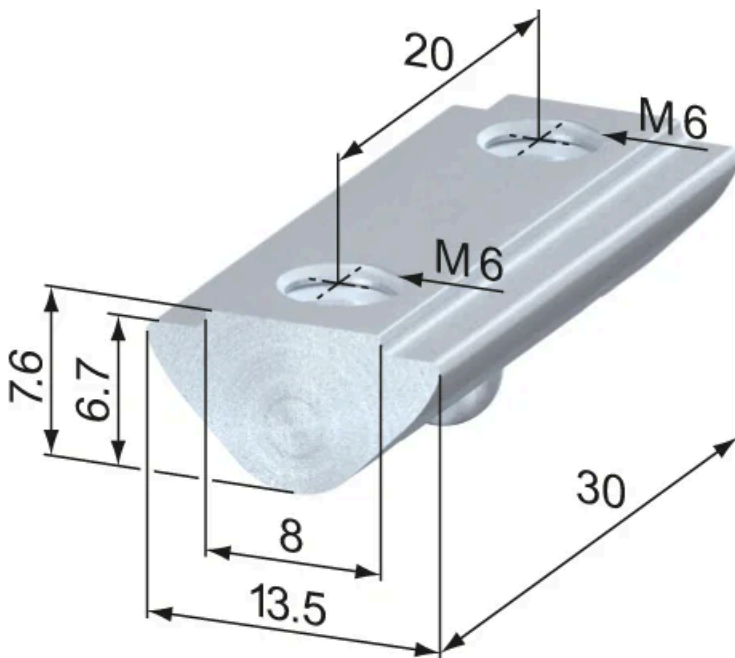
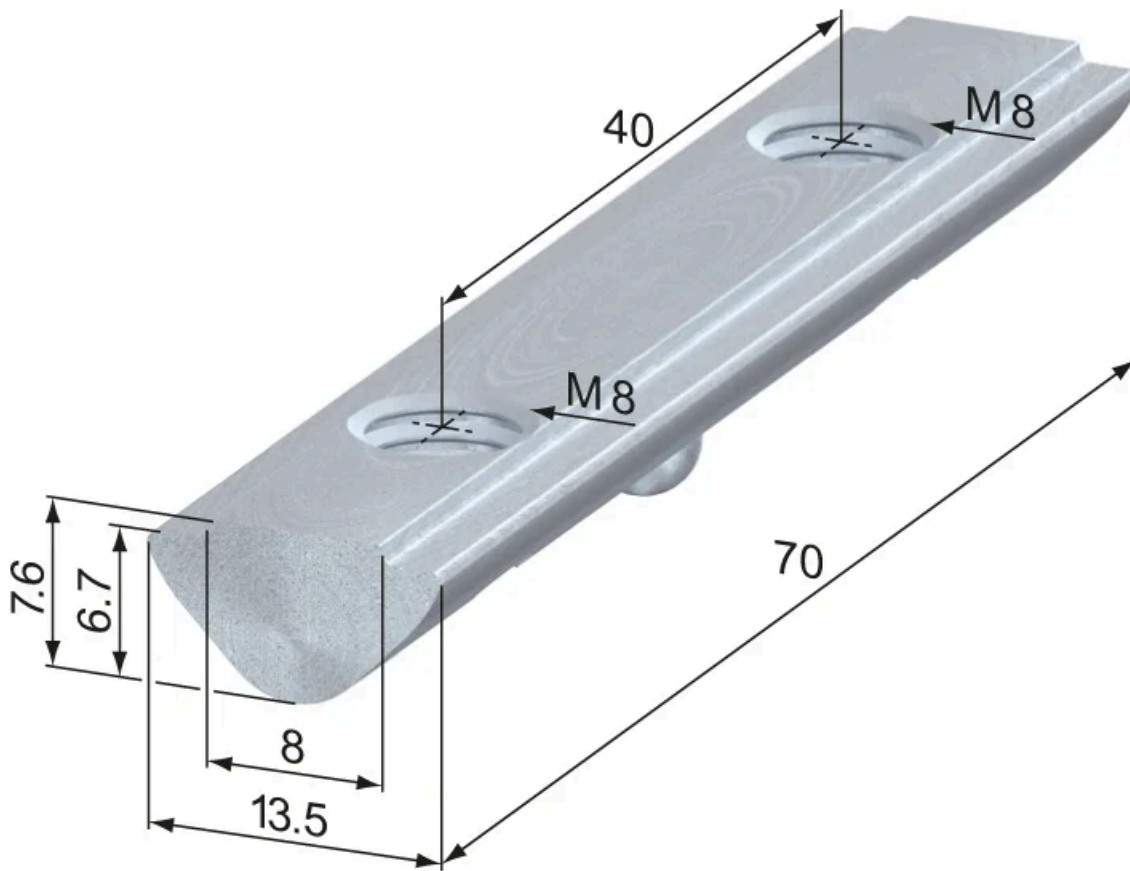
T-Nuts, slide-in**T-Nuts, push-in****T-Slot Strength**

Information in regards to the maximum allowable t-slot load capability F. These values already include a safety factor ($S > 2$) against plastic deformation.

Profile type	Max. pull charge F
standard	5000 N
semi	2500 N
light	2000 N
superlight	1750 N



General Data



Designation	System	Thread
SV2202V	40 - Slot 8	40 M8
SV2210V	40 - Slot 8	20 M6