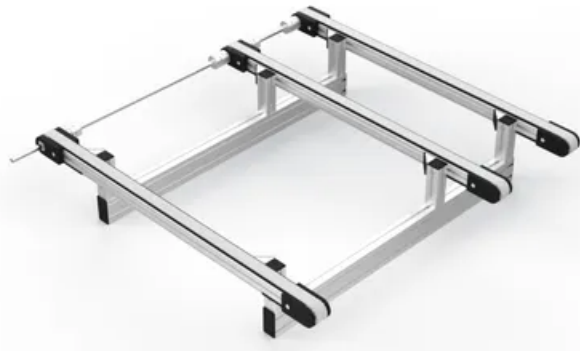


## TB40 Multisystem Timing Belt Conveyor

Multisystem with three up to ten synchronised timing belt conveyors. Options such as cleats, false teeth or coated belt. Stand 100% compatible with conveyor available as an option. Inclination or declination of +/- 10° is possible. For dimensions outside our standard range, please contact Rollco.

Note: Please see load/speed diagram for current values. Use our CAD configurator to design your timing belt conveyor according to your preferences and get a visual view, download data sheet and CAD files.



TB40 and TB80 have been extensively tested over its full performance range of speeds, loads, and lengths, together with our standard drive units.

Declaration of incorporation of partly completed machinery according to Directive 2006/42/EC Annex II 1B.

Dimensions in mm.

**No. of parallel units:** 3 to 10 pcs

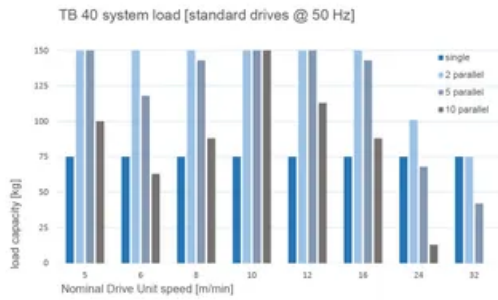
**Speed (m/min):** up to 32

**Drive side:** Left/Right

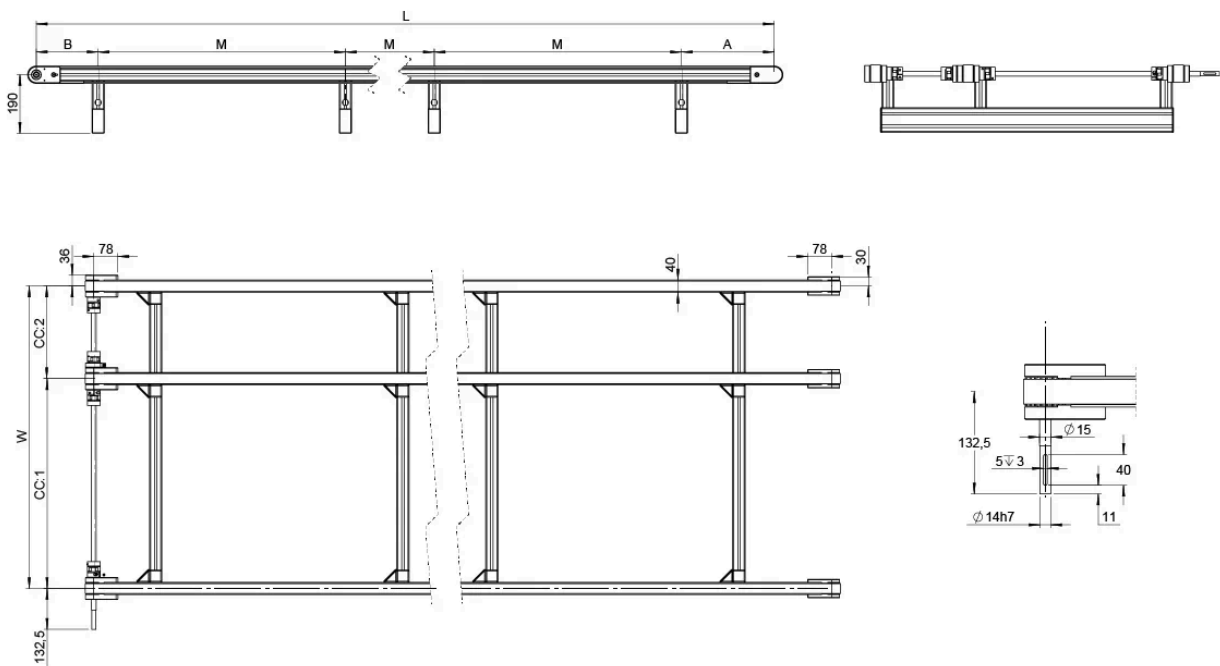
**Incline/decline:** +/- 10°

**Load capacity (kg):** Up to 150

**Load capacity/m/unit (kg):** 25



## General Data



Designation	Profile Width	Profile Height	Belt Width	Total Length (L)	Total Width (W)
<b>TB40-multisystem</b>	40	40	32	max 6000	max 6000

Designation	CC (w)	No. of parallel units	A	B	M
<b>TB40-multisystem</b>	max 1500	3-10	130-300	130-200	160-1000