

Magnetic Catch

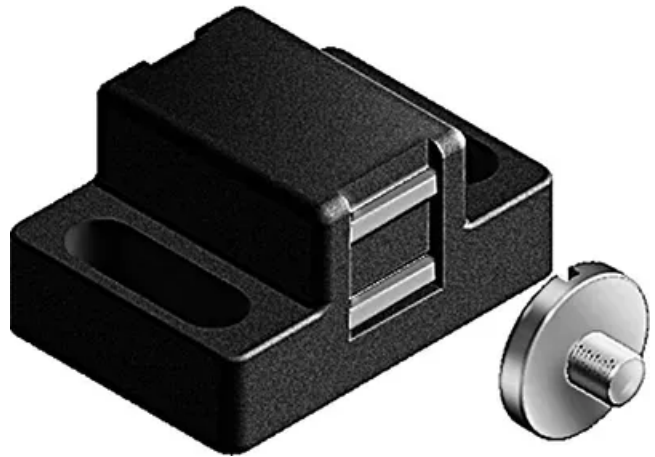
Easy closing of sliding and swing doors.
Adapts to the thickness of surface elements.

Mount Slot 5: by M4 × 5 screw (DIN921), galvanised steel
Mount Slot 8: by M5 × 6 screw (DIN921), galvanised steel

Material: Black plastic (PA), fibreglass-reinforced

System: 40 - Slot 8; 30 - Slot 6; 20 - Slot 5

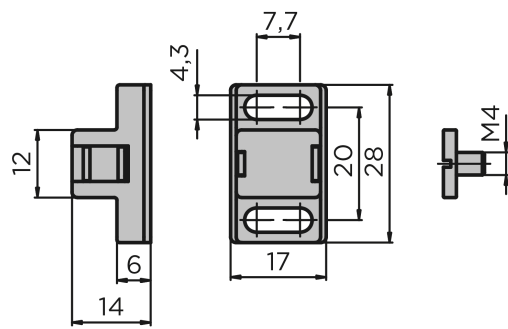
Type: Door Latches & Interlocks



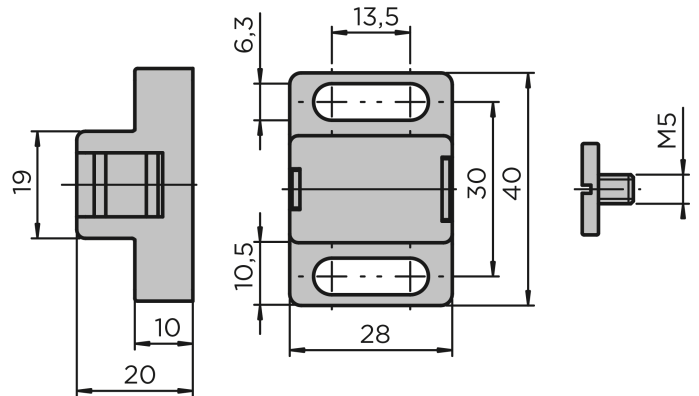


General Data

Slot 5



Slot 8



Designation	Description	System	Locking force (N)
RA5057	Magnetic catch	20 - Slot 5	Approx. 5 (front) / 3 (back)
RA1610	Magnetic catch	40 - Slot 8	Approx. 20 (front) / 10 (back)