

Uniblock

Fastening surface elements to aluminium profiles made easy.

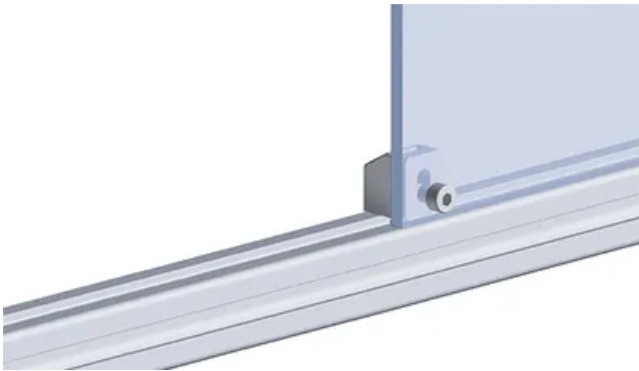
Material: Pad: Plastic (PA), fibreglass-reinforced.

Nut: Galvanised steel

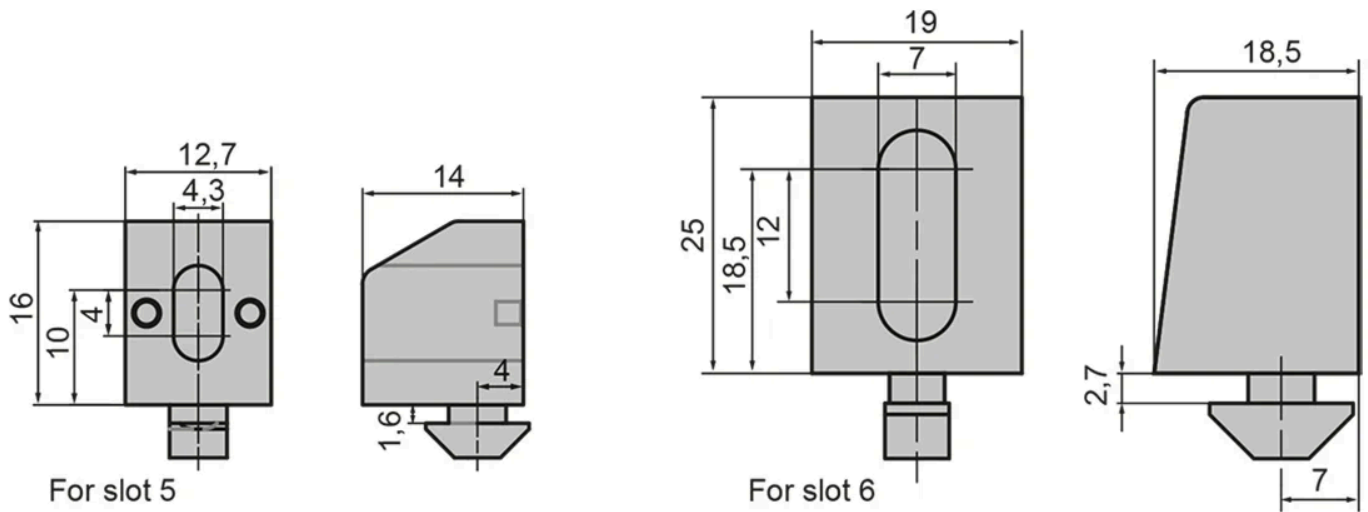
System: 30 - Slot 6; 20 - Slot 5

Type: Fixing Blocks/Fastening Elements





General Data



Designation	Description	System
PZ4090	Uniblock 14 with M4 square nut	20 - Slot 5
PZ5061	Uniblock 18 with M4 square nut	30 - Slot 6
PZ5062	Uniblock 18 with M5 square nut	30 - Slot 6
PZ5063	Uniblock 18 with M6 square nut	30 - Slot 6