

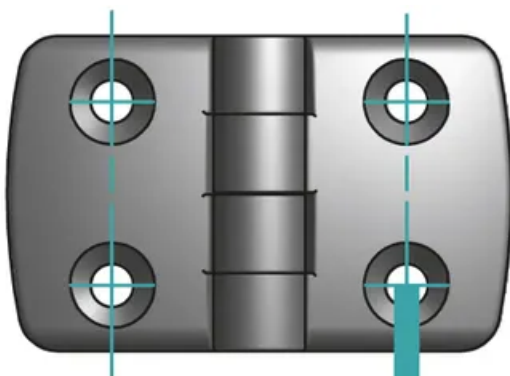
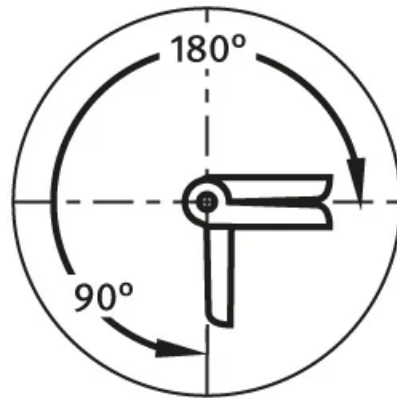
Light-Duty Metal Hinge – No Unhinging

For surface elements and aluminium profiles.
Optional adjustment by the oblong holes make this hinge fit for slot rows 5–8.
Once mounted, the surface element pivots by 180°.

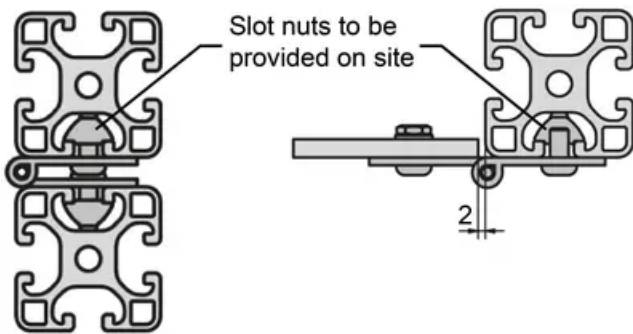
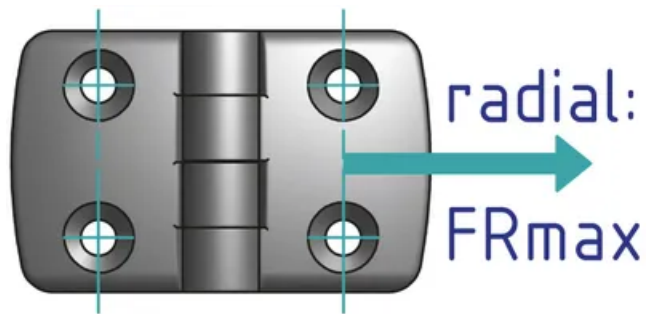
Mounting material included:
3 M5 × 8 screws (ISO 7380),
1 M5 × 16 screw (DIN 903),
1 M5 nut (DIN 934),
1 5.3 washer (DIN 125) - black galvanised (RoHS-compliant)

System: 30 - Slot 6; 20 - Slot 5
Type: Hinges

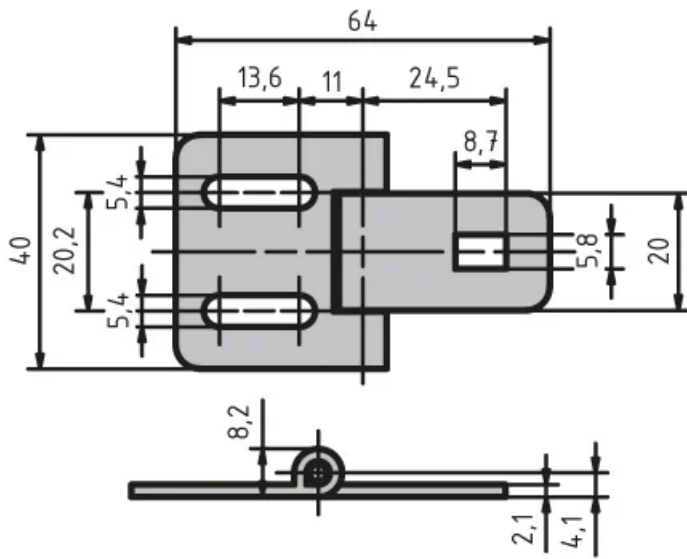




axial: F_{Amax}



General Data



Designation	Material	F _{Amax} (N)	F _{Rmax} (N)
PZ1555	Black powder coated steel	250	75