

Combination Hinge of Die-Cast Aluminium

For surface elements and aluminium profiles

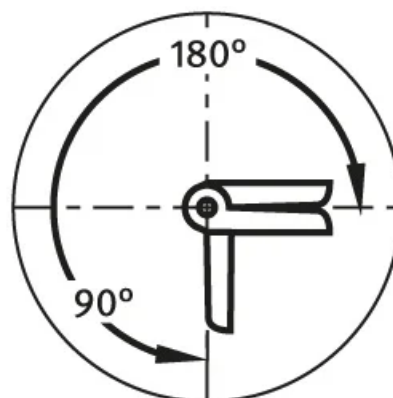
Material: Wing: Die-cast aluminium; pin: Stainless steel

On-site mount: by M6 × 12 or M6 × 16 countersunk screws and slot nuts at the front

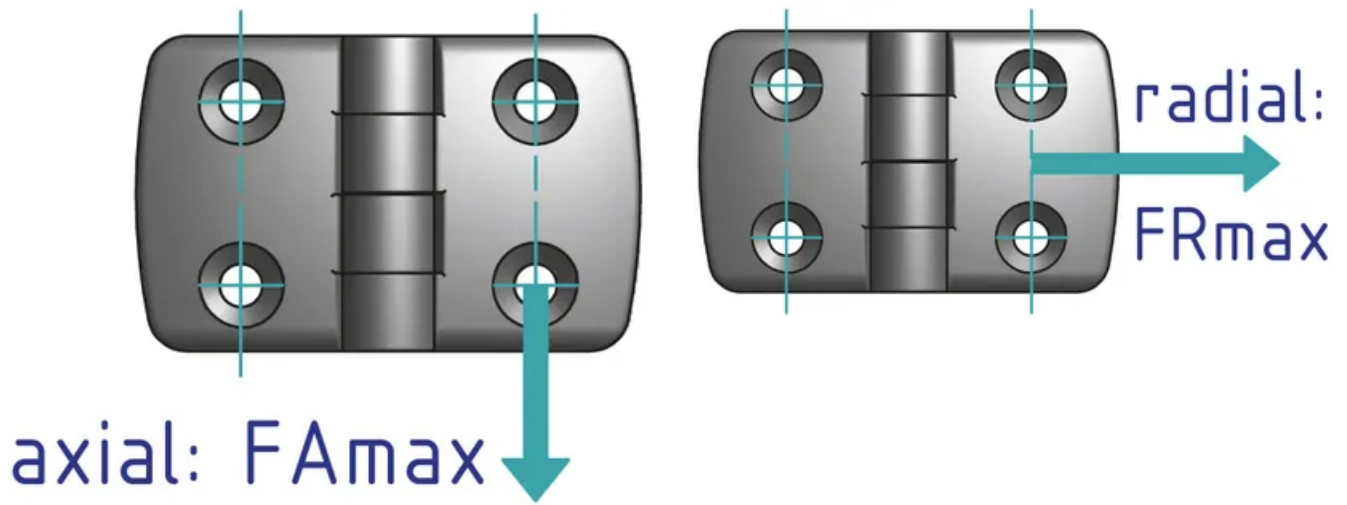
Mounting instruction: ESD-ready only if using notched slot nuts.

System: 30 - Slot 6

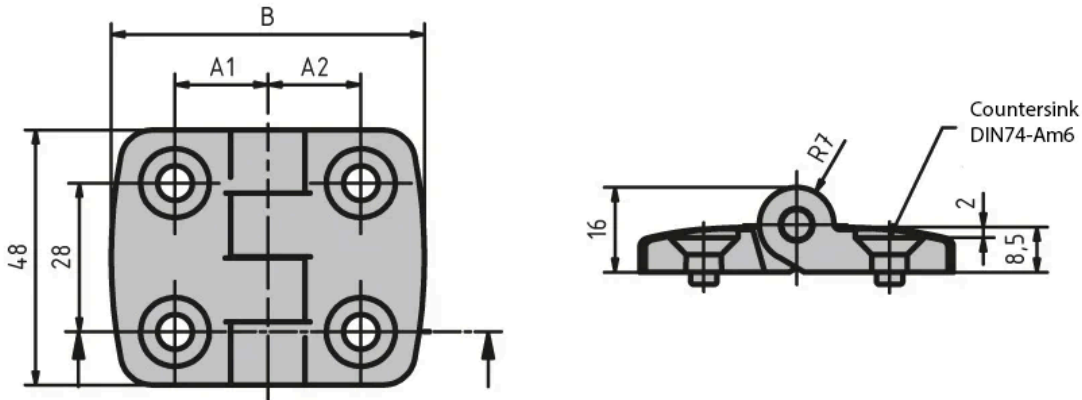
Type: Hinges



Combination Hinge of Die-Cast Aluminium



General Data



Designation	Description	System	B	F _{Amax} (N)	F _{Rmax} (N)
PZ5027	Combination aluminium hinge 30.30	30 - Slot 6	59	225	325
PZ5030	Combination aluminium hinge 60.60	30 - Slot 6	115	100	400

Designation	A1/A2
PZ5027	17.5
PZ5030	32.5