

## Motors for BF40

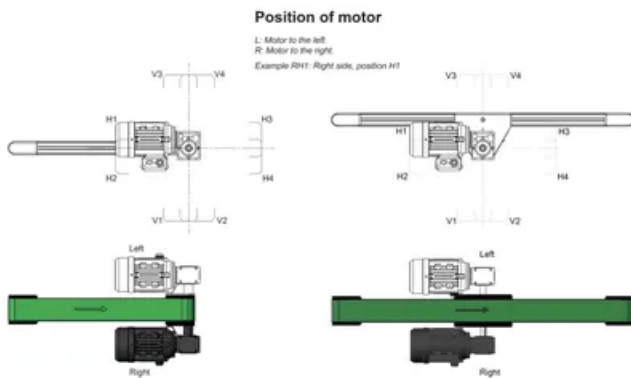
This is a selection of standard motors available for our BF40 series.

We can customise the drive shaft to accommodate many different motors and gear choices. Please contact Rollco for more information.

Dimensions in mm.

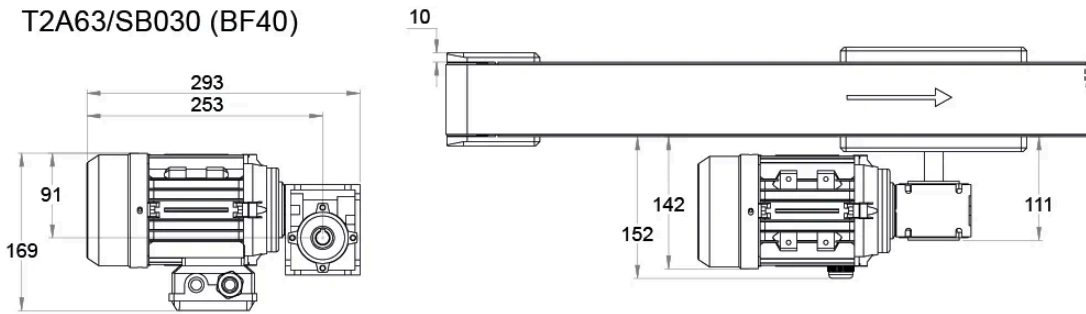
**NOTE!**

Other motors and frequency converters are available on request. Individual motors are not tested. Motors and gears are not assembled to the unit.



## General Data

T2A63/SB030 (BF40)



Designation	Voltage (V)	Power (kW)	Speed (rpm)	Protection Class
T2A63B-4	230/400	0.18	1350	IP55
T2A63C-4	230/400	0.25	1360	IP55