

Plastic Combination Hinge, No Unhinging

For surface elements and aluminium profiles.

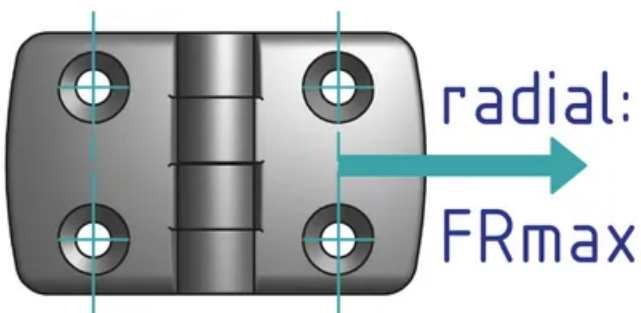
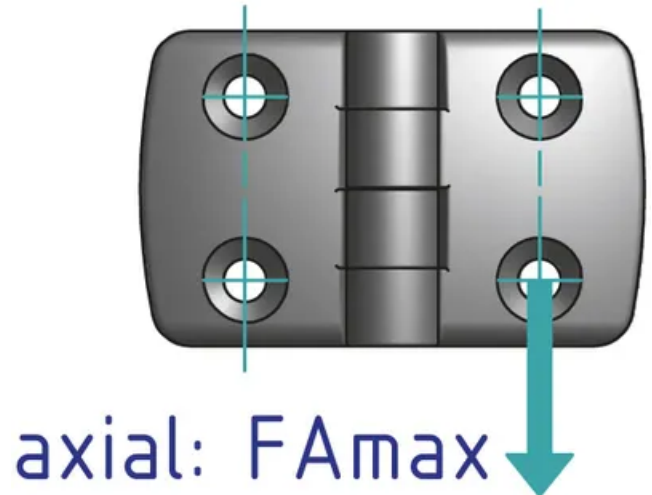
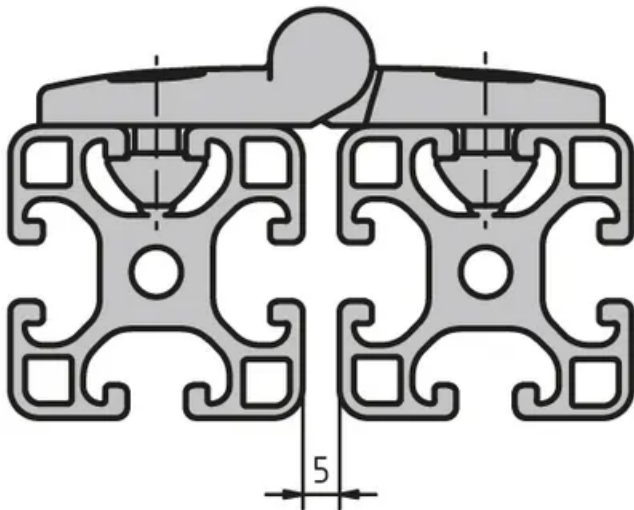
Material: Wing = Plastic (PA), fibreglass-reinforced.

Pin = Stainless steel

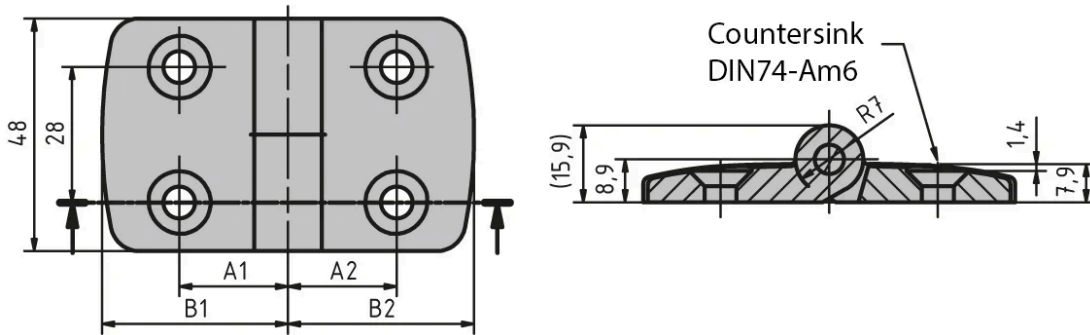
On-site mount: M6 × 12 or M6 × 16 countersunk screw and slot nuts at the front

System: 30 - Slot 6

Type: Hinges



General Data



Designation	Description	System	F _{Amax} (N)	F _{Rmax} (N)	A1/A2
PZ5024	Plastic combination hinge 30 × 30	30 - Slot 6	450	700	17.5/17.5
PZ5025	Plastic combination hinge 30 × 40	30 - Slot 6	450	750	17.5/22.5

Designation	B1/B2
PZ5024	29.5
PZ5025	29.5/38.5