

## Mini Plastic Hinge 20

On-site mount: by M5 × 10 countersunk screw and M5 slot  
5 slot nut

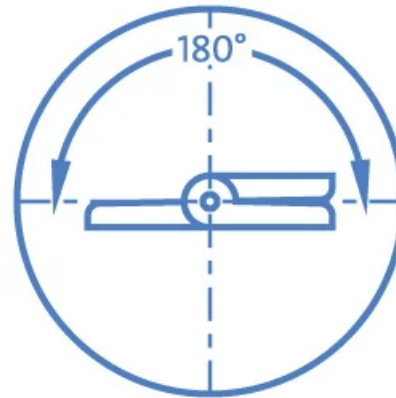
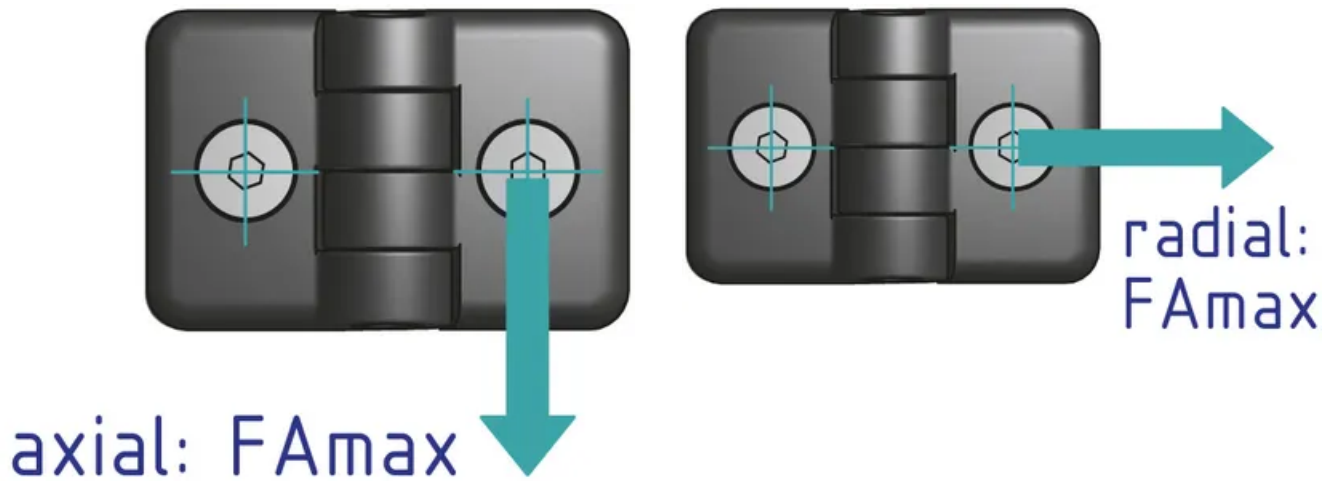
Material: Wing: Plastic (PA), fibreglass-reinforced

Pin: Stainless steel

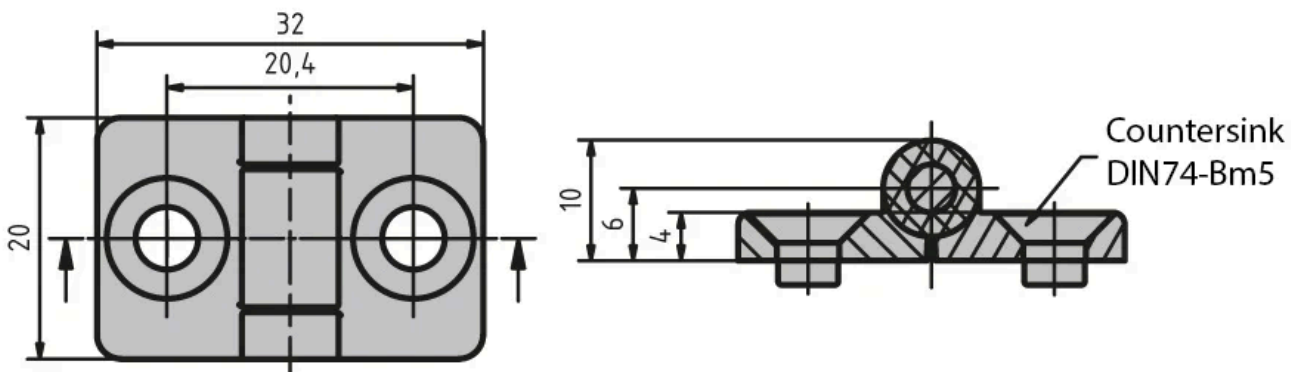
**System:** 20 - Slot 5

**Type:** Hinges





**General Data**



| Designation | System      | F <sub>Amax</sub> (N) | F <sub>Rmax</sub> (N) |
|-------------|-------------|-----------------------|-----------------------|
| PZ4080      | 20 - Slot 5 | 240                   | 300                   |