

Runner

Guides moving parts along the aluminium profile slot.

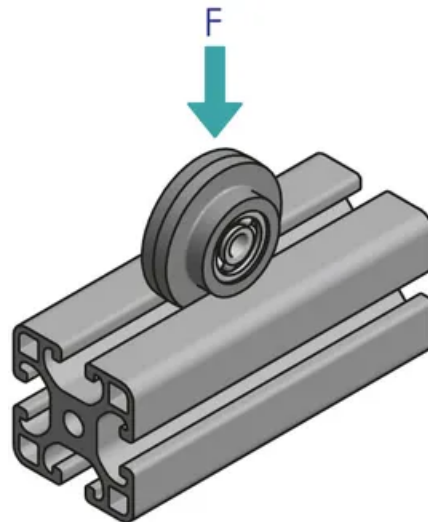
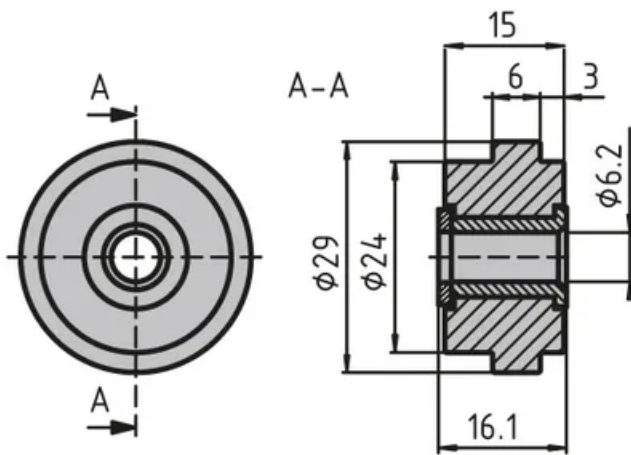
Material: Runner: Plastic (PA), glass bead-reinforced

Socket: Galvanised steel

Washer: Galvanised steel

System: 30 - Slot 6; 20 - Slot 5

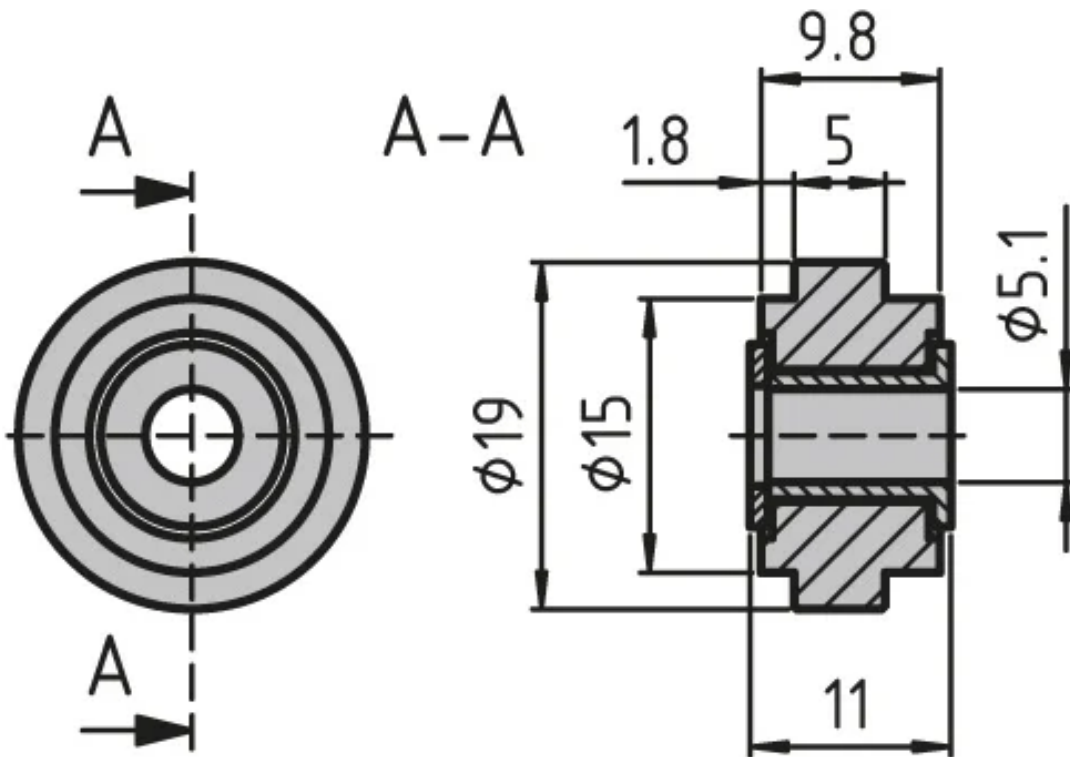
Type: System Gliders and Rollers



Runner



General Data



Designation	System	D	F (N)
PZ4060	20 - Slot 5	19	100
PZ3245	30 - Slot 6	29	250