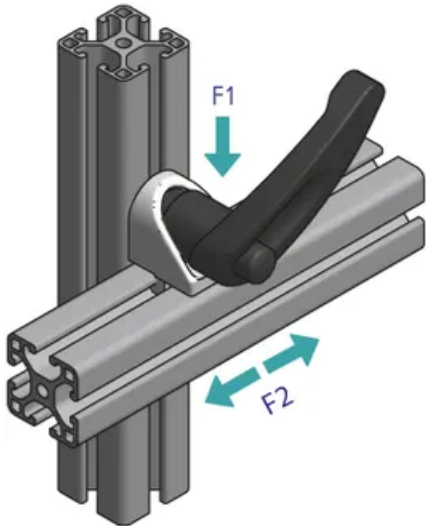


Clamping Bracket

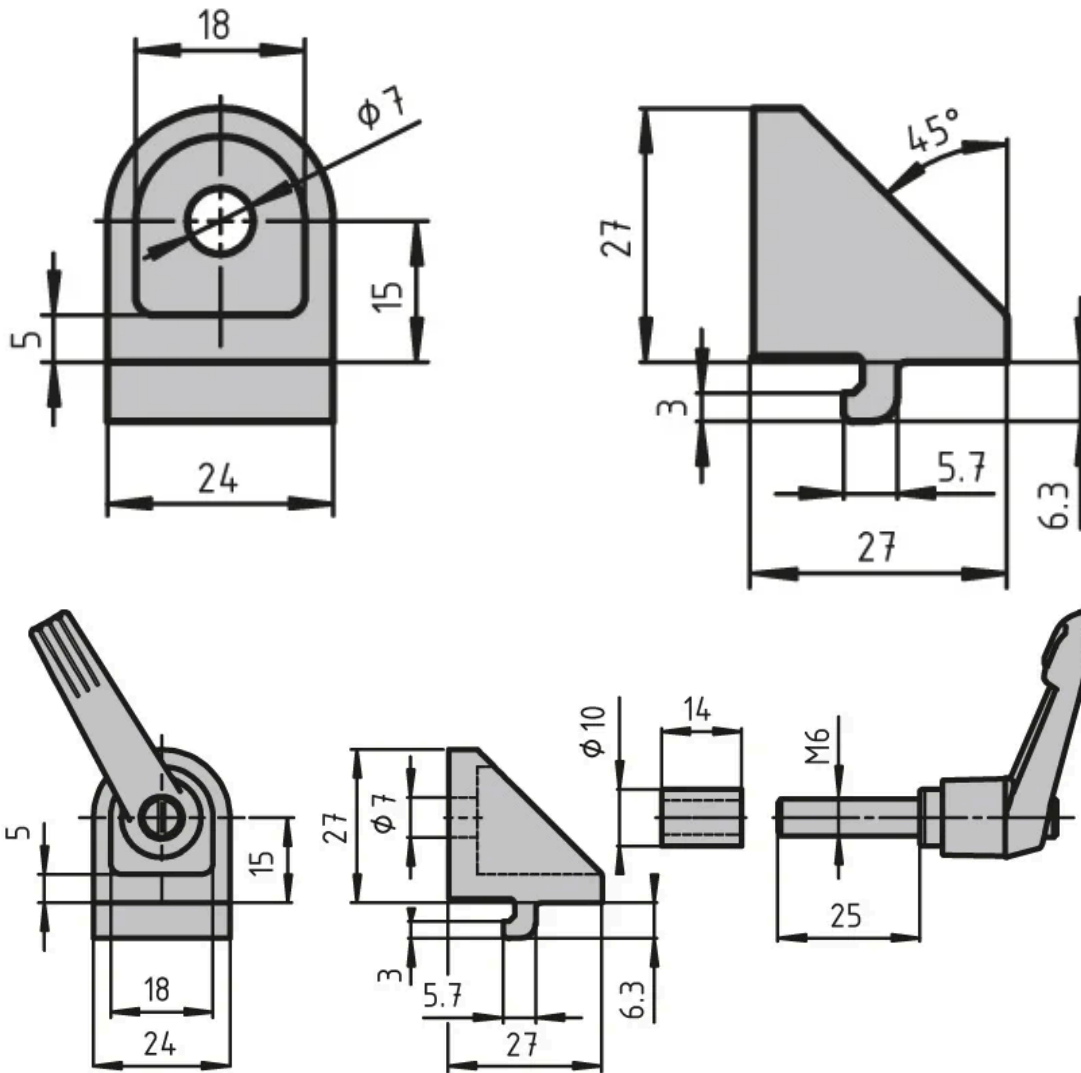
Simple and reliable link between intersecting profiles.
Bracket with clamping lever for variable use.
Sets to any angle.
Material: Aluminium coloured die-cast zinc

System: 30 - Slot 6

Type: Angles Brackets and Corners; Fasteners



General Data



Designation	Description	System	F1 (N)	F2 (N)
PZ3090	Clamping bracket 30	30 - Slot 6	800	200
PZ3095	Clamping bracket 30 with clamping lever	30 - Slot 6	600	100