

Corner Angle 30

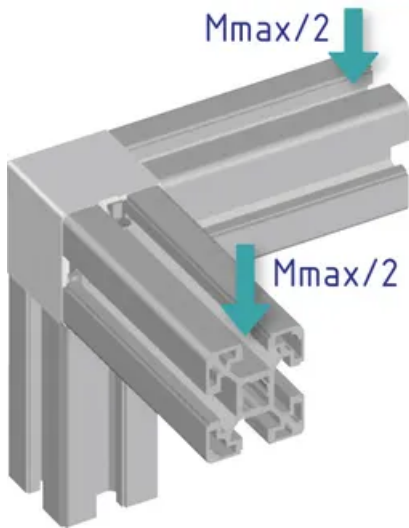
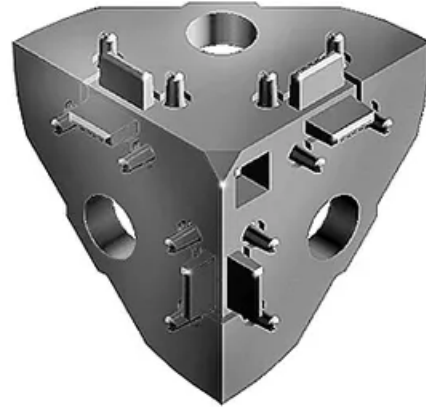
Right-angled links between up to three square or semi-circular profiles of the same cross section. Square or round caps for protection against injury and dirt.

Material: Corner angle: Uncoated die-cast zinc
Caps: plastic (PA).

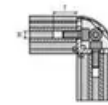
Note: The caps in the sets are not ESD-ready.

System: 30 - Slot 6

Type: Angles Brackets and Corners; Fasteners

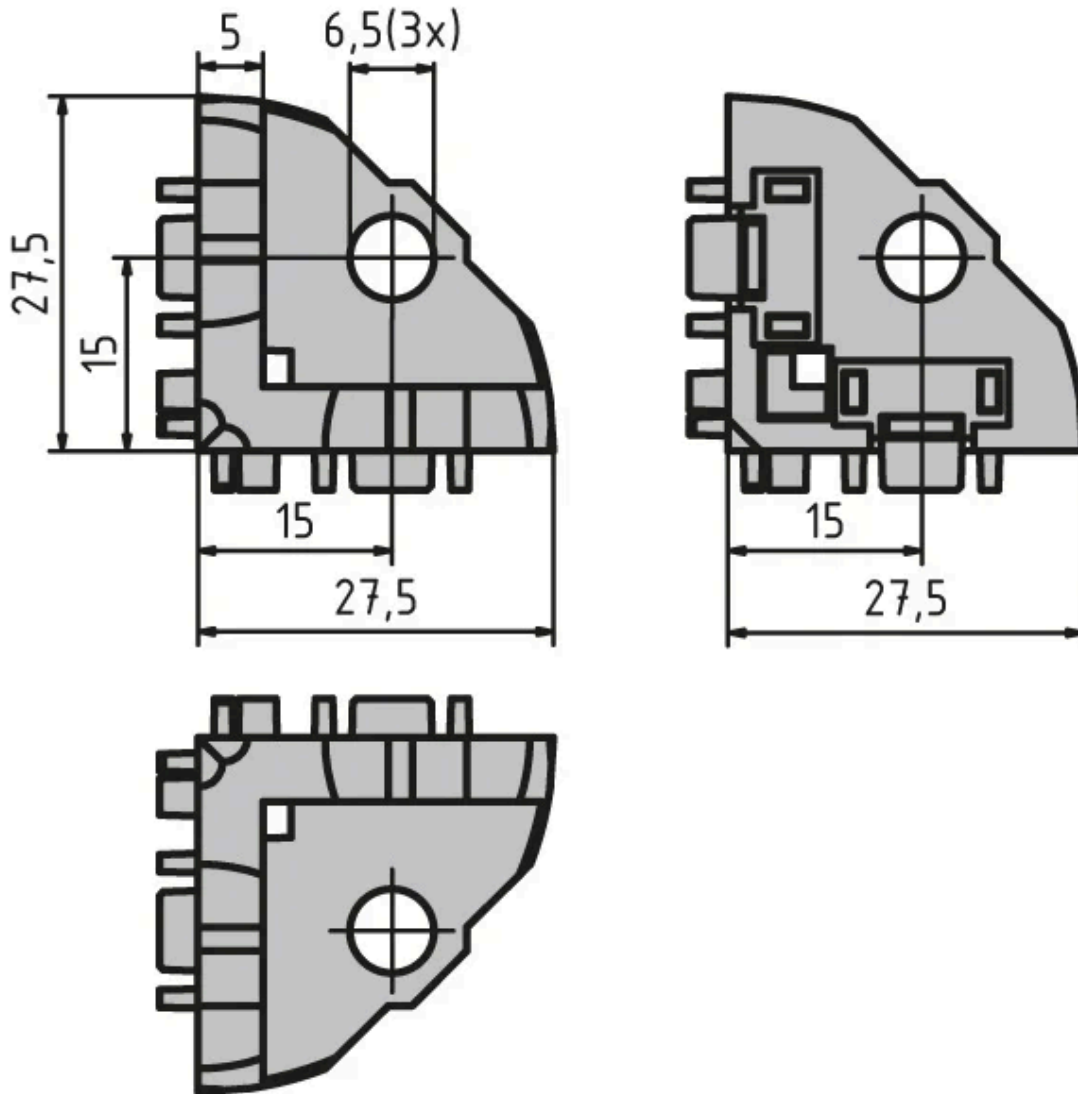


Corner Angle 30



	5	6
Machining of corner angles	Profile 20x20	Profile 30x30
Thread (M)	M5	M5
Depth (T)	25 mm	25 mm

General Data



Designation	Description	System	F (Nm)	ESD
PZ5017	Corner angle 30 including 3 M6 × 16 screws (ISO 7380)	30 - Slot 6	40	Yes
PV1076	Corner angle 30 including 3 M6 × 16 screws (ISO 7380) and square black cap	30 - Slot 6	40	Yes
PZ5018	Corner angle 30 including 3 M6 × 16 screws (ISO 7380) and square grey cap (RAL7004)	30 - Slot 6	40	Yes
PZ5298	Corner angle 30 including 3 M6 × 16 screws (ISO 7380) and round black cap	30 - Slot 6	40	Yes
PA1208	Round black cap	30 - Slot 6	-	-
PA1209	Square black cap	30 - Slot 6	-	-
PA1210	Square grey cap (RAL7004)	30 - Slot 6	-	-