

## Bracket 60 × 60

Material: Bracket: Uncoated die-cast zinc  
Cap: Black plastic (PA)

Slot 6 mounting material:

8× M6 slot 6 slot nuts with step

8× M6 × 14 screw (DIN 7380)

Slot 12 mounting material:

8× M8 slot 12 slot nuts with step

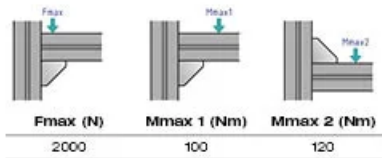
8× washer (DIN 125)

8× M8×28 screw (DIN7380 )

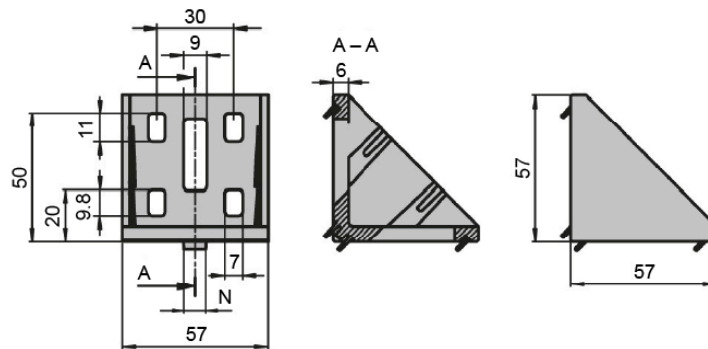
**System:** 30 - Slot 6

**Type:** Angles Brackets and Corners; Fasteners





## General Data



Designation	Description	System	ESD
PZ5010	Bracket 60 × 60	30 - Slot 6	-
PZ5011	Bracket 60 × 60 with mounting material and ABDK	30 - Slot 6	Yes
PZ5012	Bracket 60 × 60 silver powder coated with mounting material and ABDK	30 - Slot 6	-
PA1205	Cap 60 × 60	30 - Slot 6	-
PZ5013	Bracket 60 × 60 with mounting material and ABDK	30 - Slot 6	Yes
SZ0967N	Corner Bracket Zn 30 x 30	30 - Slot 6	-
SZ0965N	Corner Bracket Zn 20 x 20	30 - Slot 6	-
SZ0964N	SZ0964N Corner bracket ZN 20x20 Set	30 - Slot 6	-