

Bracket 30 × 60

Material: Bracket: Uncoated die-cast aluminium

Cap: Black plastic (PA)

Mounting kit: Galvanised steel

Mounting kit includes:

4× slot nut with M6 step

4× M6×14 screw (ISO7380)

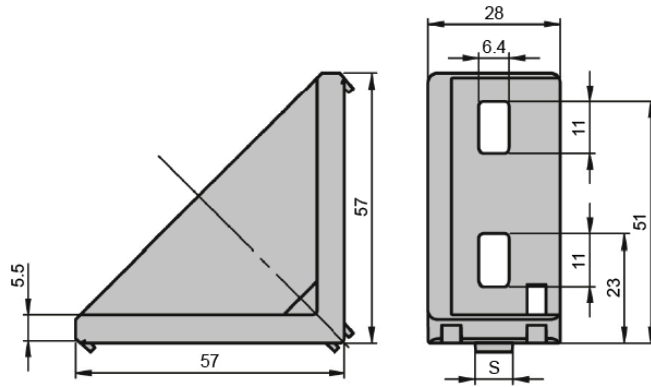
4× washer (DIN 125)

System: 30 - Slot 6

Type: Angles Brackets and Corners; Fasteners



General Data



Designation	Description	System	ESD
PZ5004	Bracket 30 × 60 with mounting material and ABDK	30 - Slot 6	Yes