

Bracket 20 × 20

Material: Bracket: Die-cast zinc, uncoated and silver powder coated.

Cap: Black plastic (PA)

Mounting kit: Galvanised steel

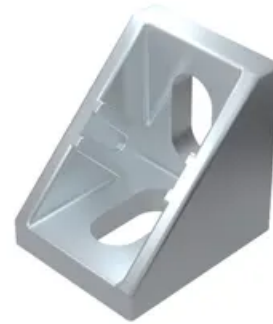
Mounting material:

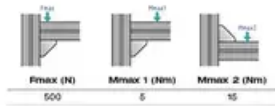
2× M5 slot 5 slot nuts with step

2× M5 × 8 screw (DIN 6912)

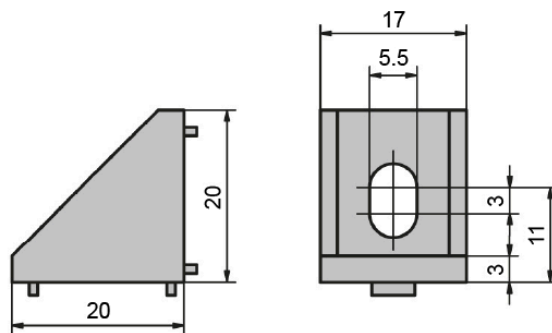
System: 20 - Slot 5

Type: Angles Brackets and Corners; Fasteners





General Data



Designation	Description	System	ESD
PZ5005	Bracket 20 × 20	20 - Slot 5	-
PZ5006	Bracket 20 × 20 with mounting material and ABDK	20 - Slot 5	Yes
PZ5007	Bracket 20 × 20 silver powder coated with mounting material and ABDK	20 - Slot 5	-
PA1203	Cap 20 × 20	20 - Slot 5	-