

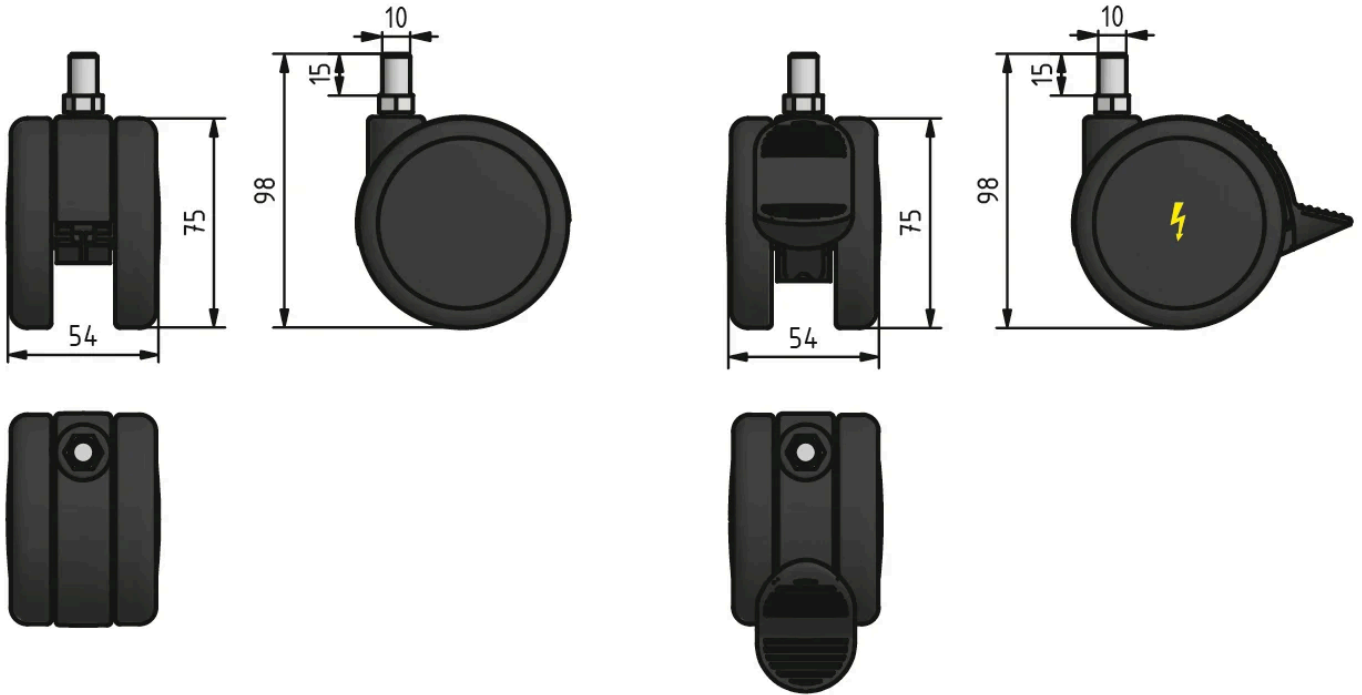
## Plastic Double Castor

Double castor that carries up to 75 kg.  
Optional: ESD-ready and locking variant.  
Base plates allow installation in the core pulling.  
Colour: Black  
Wheel with thermoplastic polyurethane tread  
Bearing: Friction bearing

**System:** 20 - Slot 5; 30 - Slot 6; 40 - Slot 8  
**Type:** Castors



## General Data



Designation	Description	D	ESD	F (N)	Wheel Width
RA5105	Plastic double castor	75	-	750	2 × 15
RA5106	Plastic double castor	75	Yes	750	2 × 15
RA5107	Plastic double castor with wheel stopper	75	-	750	2 × 15
RA5108	Plastic double castor with wheel stopper	75	Yes	750	2 × 15