

## Castor with Fitted Flange

Sturdy castors with fitted flange.

Run very smoothly and are a particularly good choice for workshops.

Sold as lockable steering castor and fixed castor.

Lockable steering castor: locks to prevent the wheel from rolling and turning

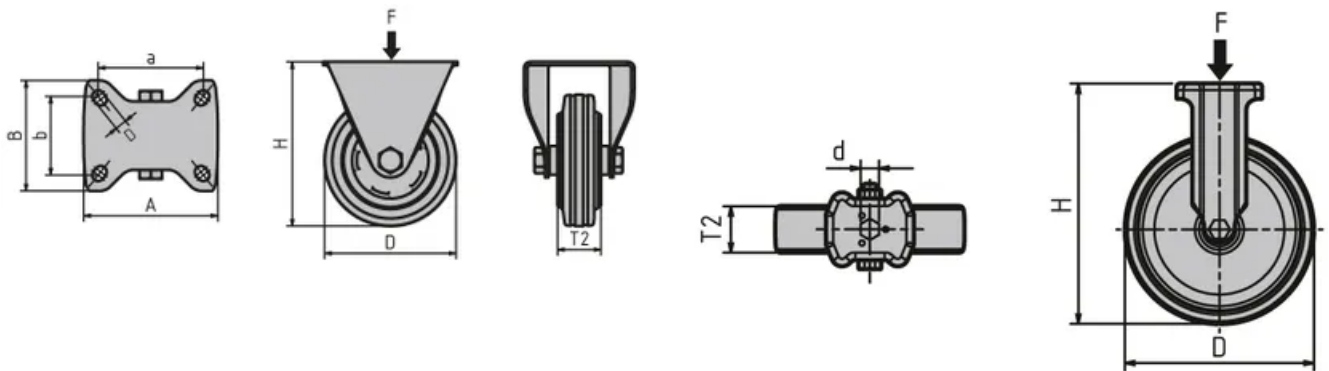
Material: Wheel: Solid rubber; rim: polypropylene;

Housing: Galvanised steel sheet; transparent chromate coating

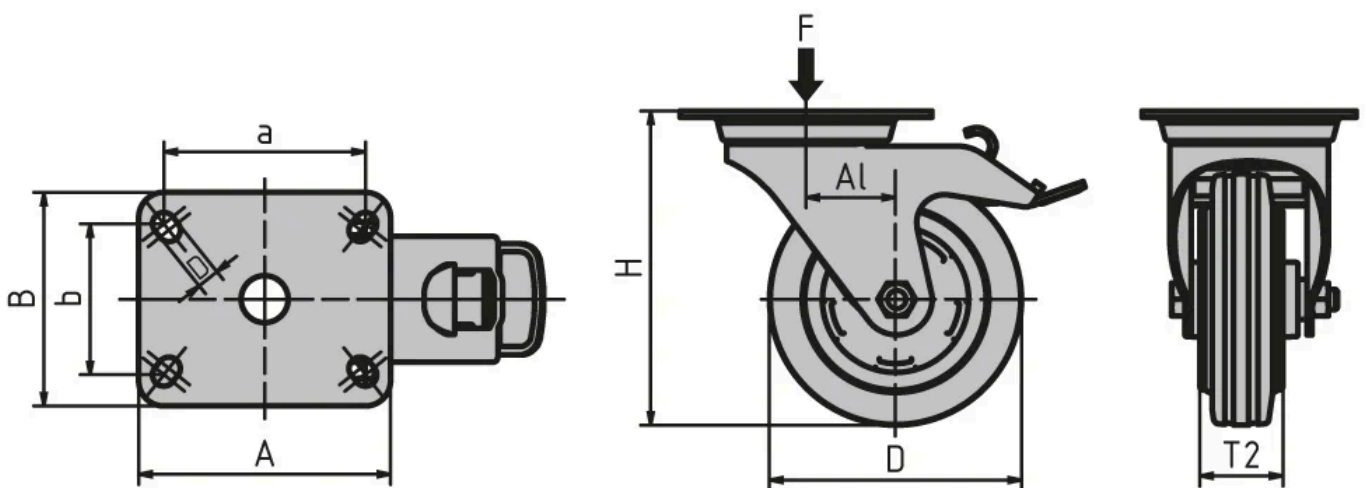
**System:** 40 - Slot 8; 30 - Slot 6; 20 - Slot 5

**Type:** Castors





**General Data**



Designation	Description	A	B	D	H
RA5099	Steering castor	100	85	100	125
RA5100	Steering castor	100	85	125	150
RA5101	Fixed castor	-	-	75	98
RA5102	Fixed castor	-	-	75	98

Designation	Description	A	B	D	H
RA5103	Fixed castor	100	85	100	125
RA5104	Fixed castor	100	85	125	150

Designation	ESD	b	d	F (N)	a	T2
RA5099	-	60	9	700	80	30
RA5100	Yes	60	9	1000	80	37.5
RA5101	-	-	11	750	-	25
RA5102	-	-	11	750	-	25
RA5103	-	60	9	700	80	30
RA5104	-	60	9	1000	80	37.5

Designation	AI
RA5099	36
RA5100	40
RA5101	-
RA5102	-
RA5103	-
RA5104	-