

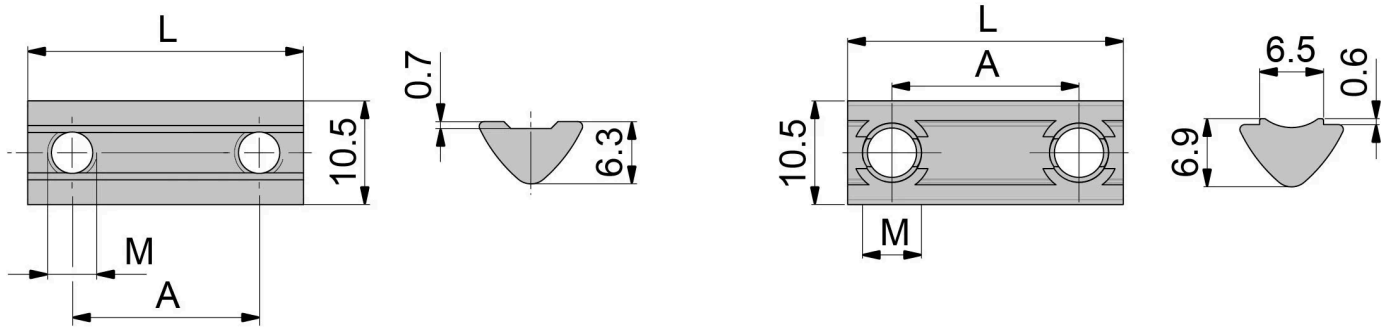
## Pivoting Double Slot Nut, 10.5 mm

**System:** 30 - Slot 6

**Type:** T-nuts



## General Data



Designation	System	Material	Thread	A	L
PN2006	30 - Slot 6	Galvanised steel	2 x M5	49	58
PN3115	30 - Slot 6	Galvanised steel	2 x M6	19	28
PN3125	30 - Slot 6	Galvanised steel	2 x M6	47	58
PN2007	30 - Slot 6	Galvanised steel	2 x M5	19	28
PN2008	30 - Slot 6	Galvanised steel	2 x M5	49	58
PN2009	30 - Slot 6	Galvanised steel	2 x M6	19	28
PN2010	30 - Slot 6	Galvanised steel	2 x M6	49	58
PN2011	30 - Slot 6	Galvanised steel	No	-	1500

Designation	Step	Fmax (N)
PN2006	No	1750
PN3115	No	1750
PN3125	No	1750
PN2007	Yes	1750
PN2008	Yes	1750
PN2009	Yes	1750
PN2010	Yes	1750
PN2011	Yes	-