

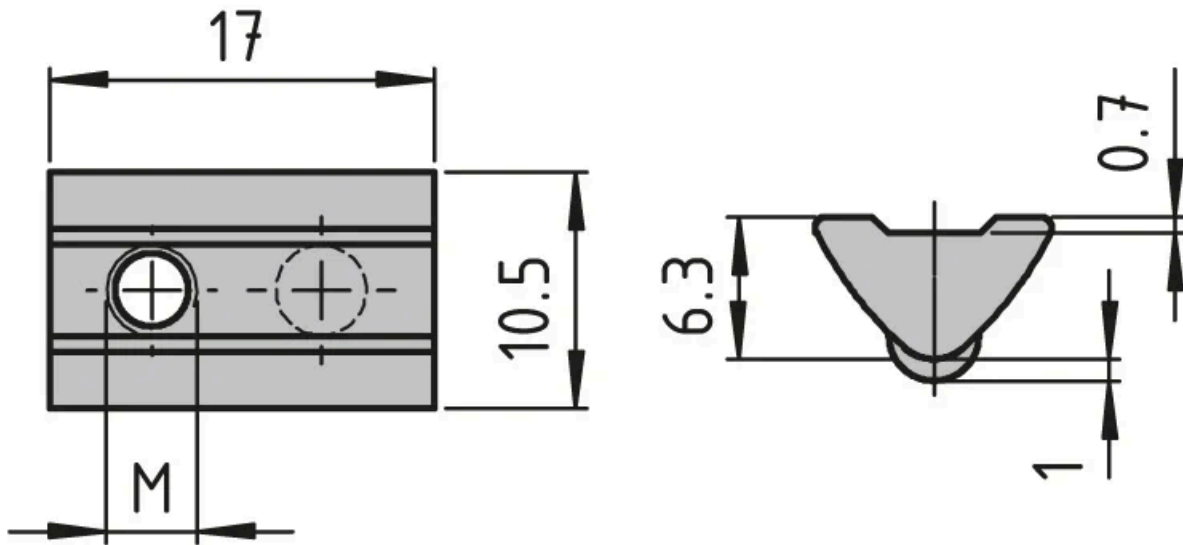
Pivoting Slot Nut, 10.5 × 6.3 mm

System: 30 - Slot 6

Type: T-nuts



General Data



Designation	System	Material	Thread	Fmax (N)
PN3914	30 - Slot 6	Galvanised Steel	M3	500
PN3010	30 - Slot 6	Galvanised Steel	M4	1750
PN3015	30 - Slot 6	Galvanised Steel	M5	1750
PN3020	30 - Slot 6	Galvanised Steel	M6	1750
PN3030	30 - Slot 6	Stainless Steel	M5	1400
PN3025	30 - Slot 6	Stainless Steel	M6	1400