

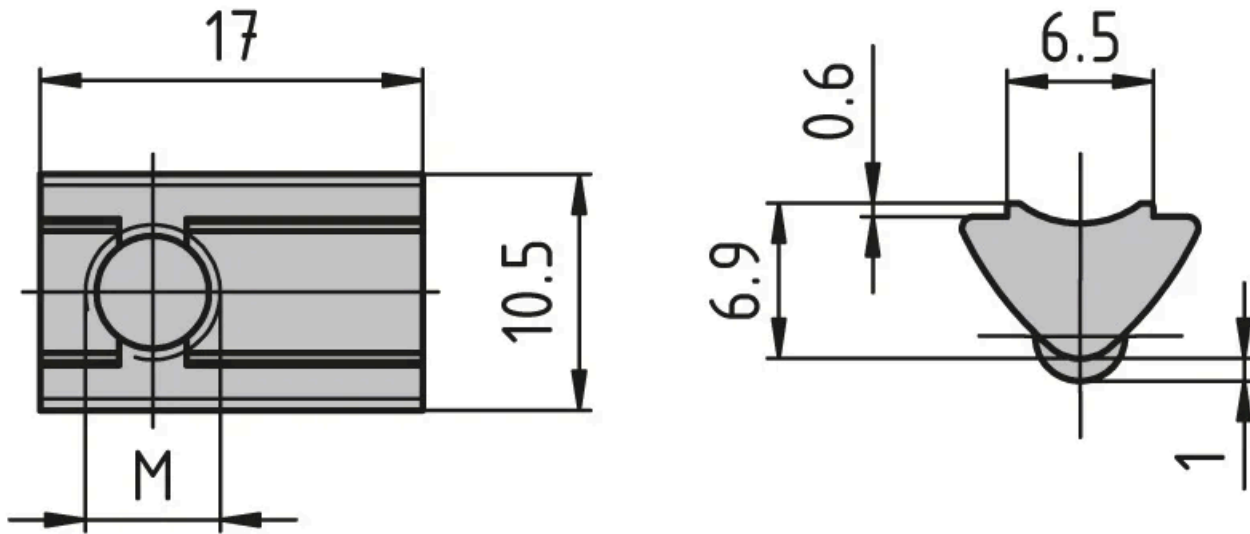
## Pivoting Slot Nut, 10.5 × 6.9 mm

**System:** 30 - Slot 6

**Type:** T-nuts



**General Data**



Designation	System	Material	Thread	Fmax (N)
PN2012	30 - Slot 6	Galvanised steel	M3	500
PN3055	30 - Slot 6	Galvanised steel	M4	1750
PN3060	30 - Slot 6	Galvanised steel	M5	1750
PN3065	30 - Slot 6	Galvanised steel	M6	1750