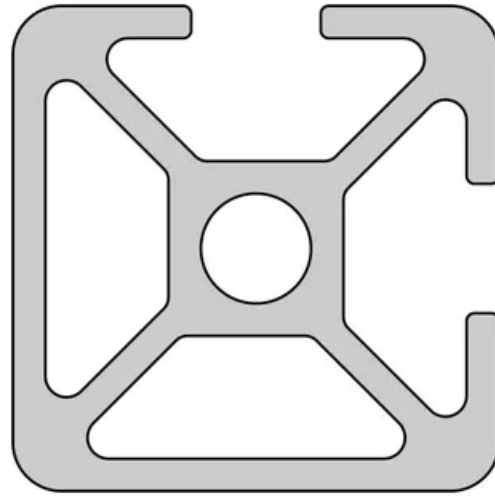
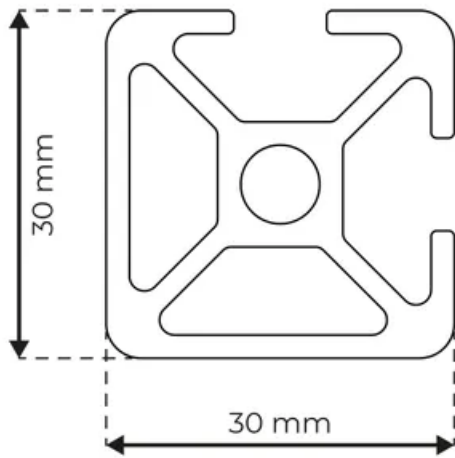


## Profile 8 30x30 Ligth 2N90

**System:** 30 - Slot 8  
**Dimensions:** 30x30  
**Length (mm):** 6000  
**Material Quality:** Light  
**Profile Type:** Closed





## General Data

Designation	System	$I_x$ (cm <sup>4</sup> )	$I_y$ (cm <sup>4</sup> )	$W_x$ (cm <sup>3</sup> )	$W_y$ (cm <sup>3</sup> )
RP2050	30 - Slot 8	3.44	3.44	2.20	2.20

Designation	A (cm <sup>2</sup> )	Mass (kg/m)
RP2050	3.64	0.99