

3560 - 100% Extension

All dimensions in mm.

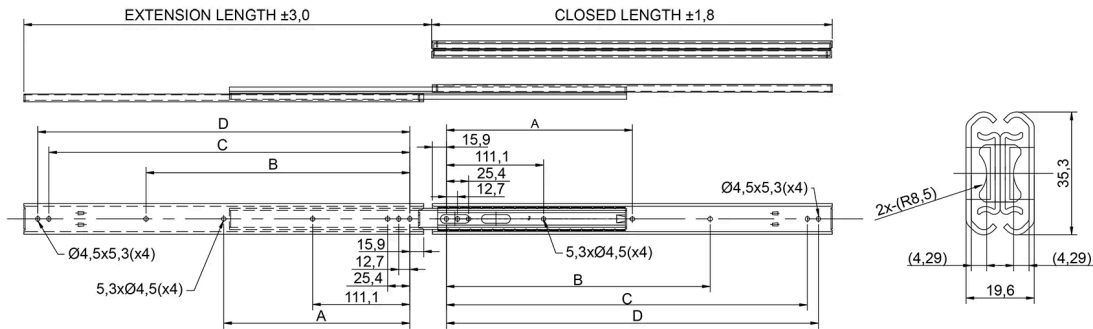
System Load Capacity value refers to a pair of rails.

Material: Slide members and component parts - stainless SUS304. Balls - SUS304.

Extension: 100%

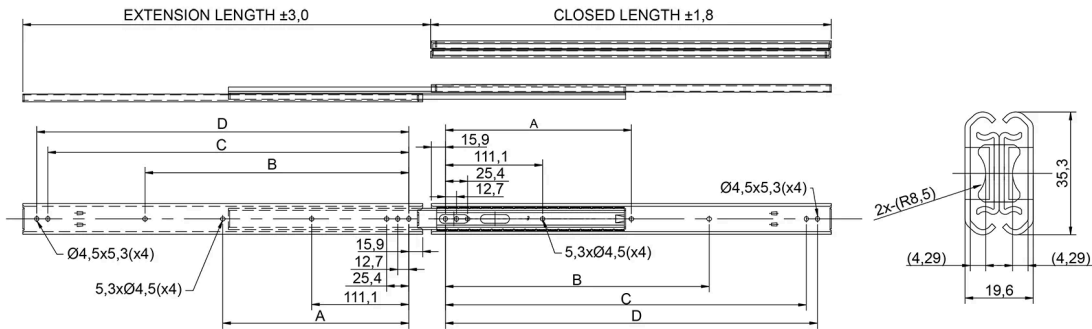


General Data



Designation	Closed Length	Extension Length	System Load Capacity (N)	Weight/pc (kg)
3560-250	254	264	600	0.5
3560-300	304.8	314.8	600	0.61
3560-350	355.6	365.6	600	0.72
3560-400	406.4	416.4	600	0.83
3560-450	457.2	467.2	600	0.93
3560-500	508	518	600	1.04
3560-550	558.8	568.8	500	1.15
3560-600	609.6	619.6	450	1.24
3560-650	660.4	670.4	400	1.35
3560-700	711.2	721.2	320	1.43

Dimensions



Designation	A	B	C	D
3560-250	-	-	209.5	222.2
3560-300	-	149.2	260.3	273.0
3560-350	-	200.0	311.1	323.8
3560-400	-	250.8	361.9	374.6
3560-450	212.7	301.6	412.7	425.4
3560-500	238.1	352.4	463.5	476.2
3560-550	263.5	403.2	514.3	527.0
3560-600	288.9	454.0	565.1	577.8
3560-650	314.3	504.8	615.9	628.6
3560-700	339.7	555.6	666.7	679.4