

## 3080 - 100% Extension

All dimensions in mm.

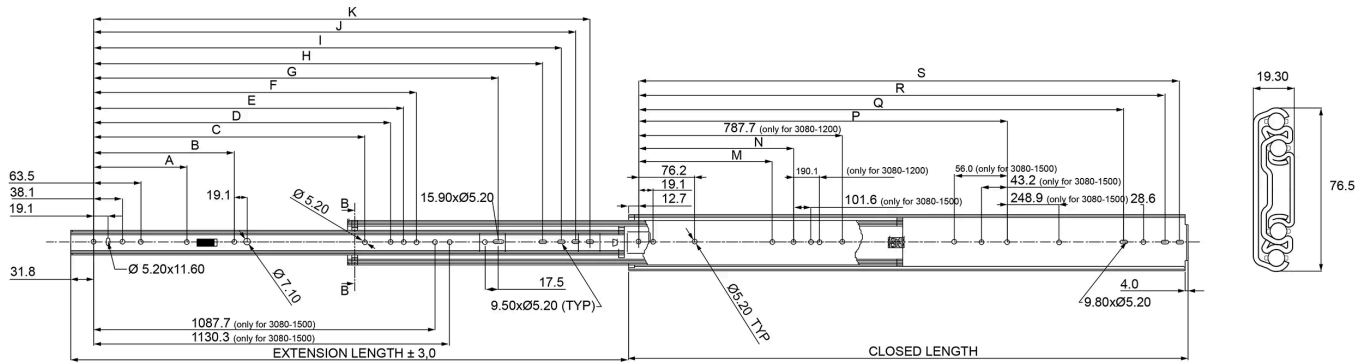
System Load Capacity value refers to a pair of rails.

**Material:** Cold-drawn steel profile, zinc plated

**Extension:** 100%

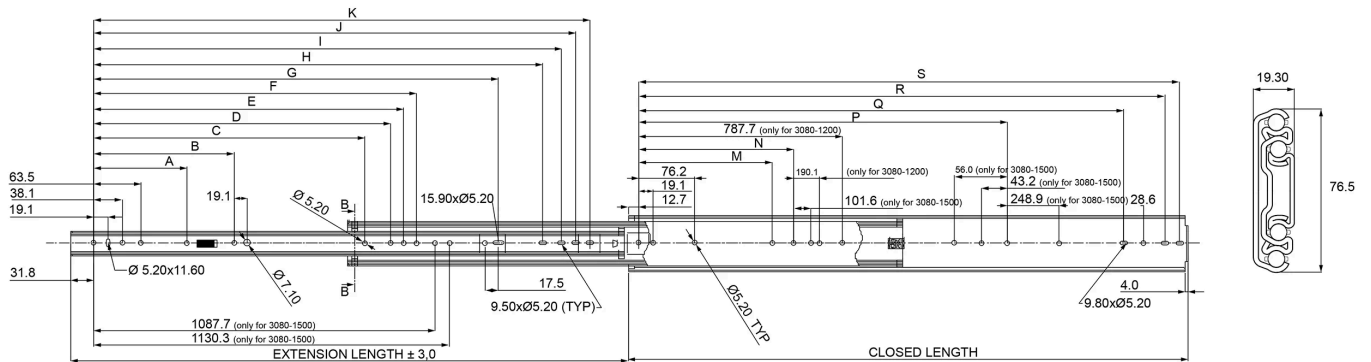


### General Data



Designation	Closed Length	Extension Length	System Load Capacity (N)	Weight/pc (kg)
3080-300	304	304	1780	1.5
3080-400	406	406	1780	2.02
3080-500	508	508	1780	2.54
3080-600	609	609	1690	3.04
3080-700	711	711	1600	3.65
3080-800	812	812	1510	4.15
3080-900	914	914	1420	4.68
3080-1000	1016	1016	1330	5.2
3080-1100	1117	1117	1240	5.73
3080-1200	1219	1219	1150	6.25
3080-1300	1320	1320	1060	6.85
3080-1400	1422	1422	1020	7.3
3080-1500	1524	1524	890	7.8

### Dimensions



Designation	A	B	C	D	E	F	G	H	I
3080-300	-	-	-	-	-	-	-	154	179.4
3080-400	127	-	-	-	-	-	-	255.6	281
3080-500	127	190.5	-	-	-	-	296.9	357.2	382.6

Designation	A	B	C	D	E	F	G	H	I
3080-600	127	190.5	-	-	-	-	398.5	458.8	484.2
3080-700	127	190.5	-	-	-	-	500.1	560.4	585.8
3080-800	127	190.5	368.3	-	-	-	601.7	662	687.4
3080-900	127	190.5	368.3	520.7	-	-	703.3	763.6	789
3080-1000	127	190.5	368.3	622.3	-	-	804.9	865.2	890.6
3080-1100	127	190.5	368.3	723.9	-	825.5	906.5	966.8	992.2
3080-1200	127	190.5	368.3	723.9	763.7	825.5	1004.7	1068.4	1093.8
3080-1300	127	190.5	368.3	774.7	-	825.5	1109.7	1170	1195.4
3080-1400	127	190.5	368.3	774.7	-	825.5	1211.3	1271.6	1297
3080-1500	127	190.5	368.3	622.3	774.7	825.5	1309.5	1373.2	1398.6

Designation	J	K	M	N	P	Q	R	S
3080-300	198.4	217.4	-	-	-	203.2	260.4	279.4
3080-400	299.9	319	-	-	-	304.8	361.9	381
3080-500	401.6	420.6	-	-	-	406.4	463.6	482.6
3080-600	503.2	522.2	-	-	-	508	565.2	584.2
3080-700	604.8	623.8	-	-	-	609.6	666.8	685.8
3080-800	706.4	725.4	234.9	393.7	552.5	711.2	768.4	787.4
3080-900	807.9	827	234.9	444.5	654.1	812.8	870	889
3080-1000	909.6	928.6	234.9	495.3	755.7	914.4	971.6	990.8
3080-1100	1011.2	1030.2	234.9	546.1	857.3	1016	1073.2	1092.2
3080-1200	1112.8	1131.8	234.9	406.8	958.8	1117.6	1174.8	1193.8
3080-1300	1214.4	1233.4	234.9	596.9	958.8	1219.2	1276.4	1295.4
3080-1400	1316	1335	234.9	596.9	958.8	1320.8	1378	1397
3080-1500	1417.6	1436.6	234.9	495.3	1014.8	1422.4	1479.6	1498.6