

## PSS 33 - Shaft 14 mm solid

- Positioning system with IP 65
- Absolute measuring system, without battery
- Galvanically separated supply voltages between control and motor and bus
- Absolute encoder eliminates the need for reference runs during system setup and installation of replacements
- Easy address assignment directly on the device using integrated address switches (not for IO-Link)
- Manual disconnecting lever permits manual disconnection of the gearbox
- Regulation of the current torque prevents overloading and unnecessary run aborts
- Strong breakaway torque enables safe start-up even after an extended standstill
- Intelligent running behaviour. Recognises the difference between obstacles and dirt
- Spindle offset run: Excludes inconsistencies due to lash in the spindle.
- Condition monitoring of supply voltage, drag error (permits optimum adjustment of current position), power consumption and torque
- Partial safety function for STO (Safe Torque Off)



Dimensions in mm.

**Type:** Vertical

**Nominal Torque (Nm):** 2; 5

**Nominal Speed (rpm):** 68; 150

**Nominal Voltage (V DC):** 24 (± 10 %)

**Nominal Current (A):** 3.1

**Output Shaft (mm):** 14

**Output Shaft Type:** Solid

**BUS Communication:** Can Open (CA); Profi Bus (DP); Device Net (DN); Modbus (MB); IO-Link (IO); ProfiNet (PN); Sercos (SE); EtherCat (EC); Ethernet IP (EI); PowerLink (PL)

**Electrical connection:** "Standard; with jog keys; 1 connector Y-encoded or 1 connector Y-encoded with jog keys"

**Protection Class:** IP65

**Motor:** EC-motor

**Supply Voltage:** 24 V DC ± 10 % galvanically separated between control and motor and bus

**Measurement System:** Absolute, optical-magnetic

**Accuracy:** ± 0.9°

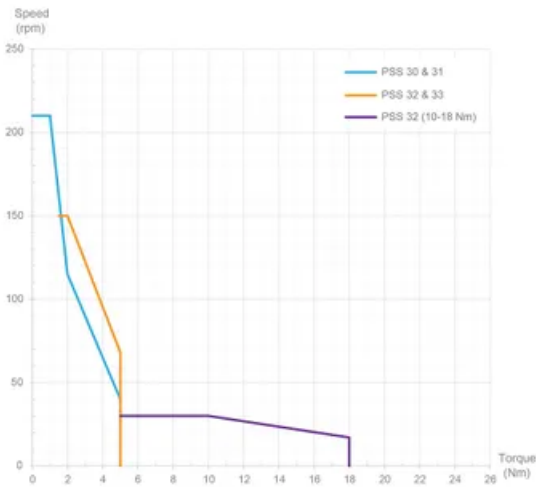
**Intermittence:** 20% (basis time 600 s)

**Manual Adjustment:** Standard

**Brake:** Optional (holding brake)

**Material:** Stainless steel housing. See pdf for details.

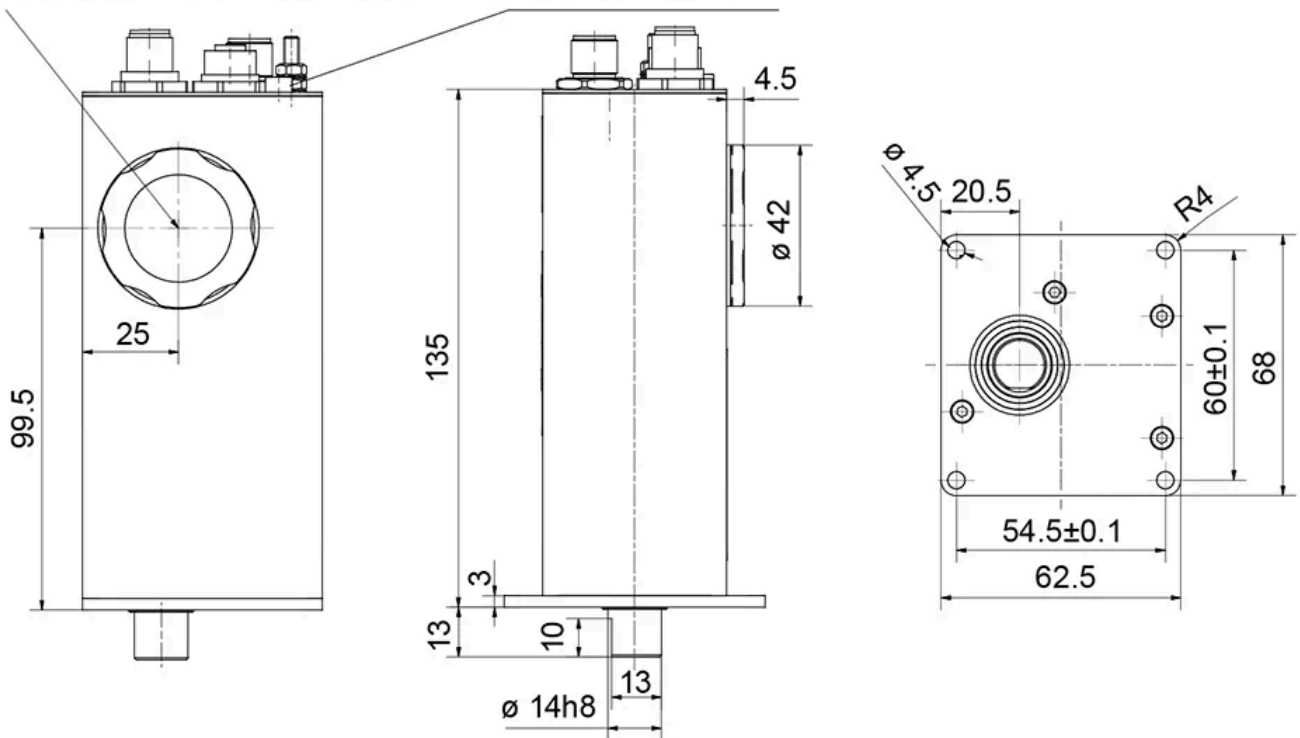
Performance Curve - Direct Drives PSS



**General Data**

viewing window and access to address switch and status display

cover, manual adjustment beneath



| Designation | Nominal Torque (Nm) | Nominal Speed (rpm) | Nominal Current (A) | Self-holding Torque (Nm) | Positioning Range (rot.) |
|-------------|---------------------|---------------------|---------------------|--------------------------|--------------------------|
| PSS 332-14V | 2                   | 150                 | 3.1                 | 1                        | 250                      |
| PSS 335-14V | 5                   | 68                  | 3.1                 | 2.5                      | 250                      |