

## PSE 34 - Shaft 14 mm hollow

- Positioning system with 100 W power output
- For vertical applications with integrated brake (optional)
- Absolute measuring system
- Position control for direct connection to a control module
- Space-saving, compact design
- Galvanically separated supply voltages between control and motor and bus
- Durable EC-motor
- Extremely accurate positioning due to measurement of the position at the output side
- Bus interfaces simplify start-up and wiring complexity
- Address may be set using the bus or an address switch (not for IO-Link)
- Baud rate set via switch
- Status messages retrievable via bus
- Partial safety function for STO (Safe Torque Off)



Dimensions in mm.

**Type:** Horizontal

**Nominal Voltage (V DC):** 24 ( $\pm 10\%$ )

**Nominal Current (A):** 7.8

**Output Shaft (mm):** 14

**Output Shaft Type:** Hollow

**BUS Communication:** Can Open (CA); Profi Bus (DP); Device Net (DN); Modbus (MB); IO-Link (IO); ProfiNet (PN); Sercos (SE); EtherCat (EC); Ethernet IP (EI); PowerLink (PL)

**Electrical connection:** "Standard; with jog keys; 1 connector Y-encoded or 1 connector Y-encoded with jog keys"

**Protection Class:** IP65

**Motor:** EC-motor

**Supply Voltage:** 24 V DC  $\pm 10\%$  galvanically separated between control and motor and bus

**Measurement System:** Absolute, optical-magnetic

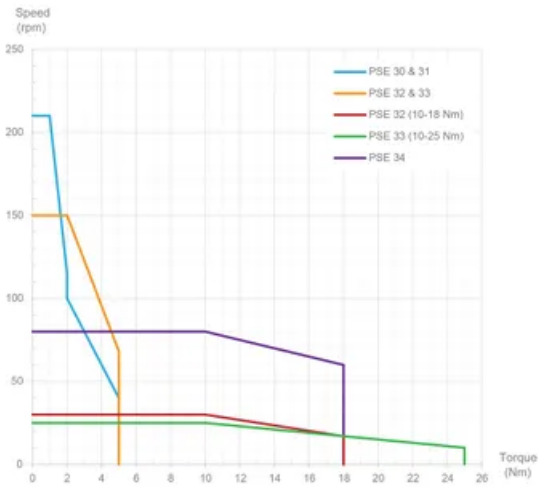
**Accuracy:**  $\pm 0.9^\circ$

**Intermittence:** 20% (basis time 300 s)

**Manual Adjustment:** Standard

**Brake:** Optional (friction brake)

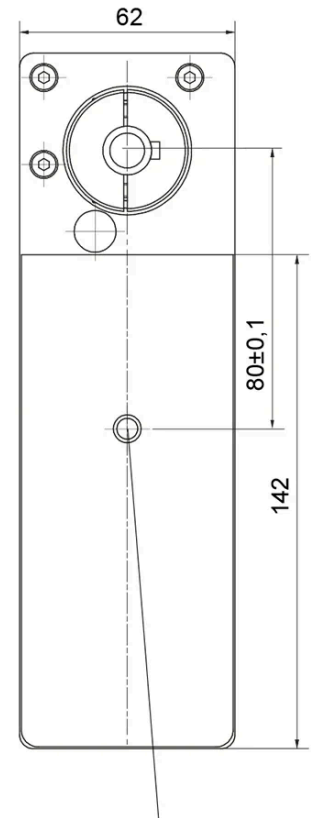
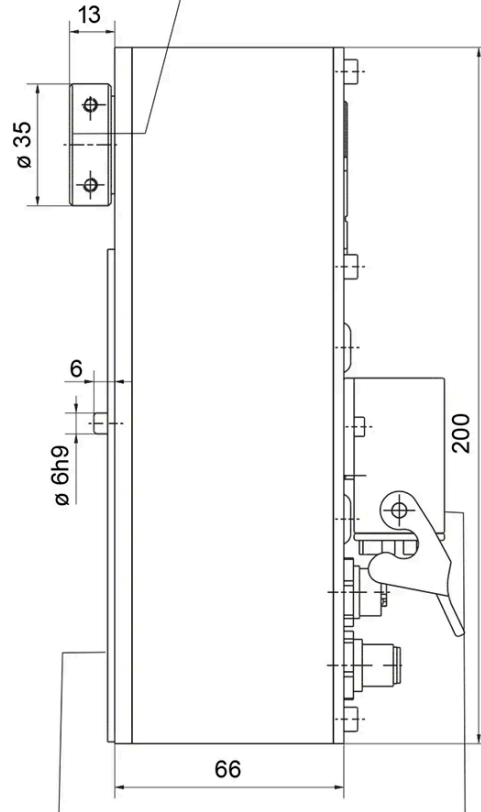
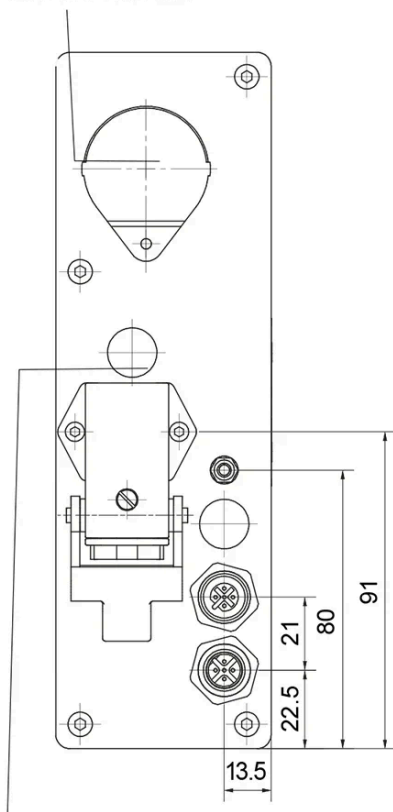
Performance Curve - Direct Drives PSE



**General Data**

removeable sight glass  
for LED status /  
address switches

hollow shaft  
ø 14H7 / 20 depth



cover, manual  
adjustment beneath

sealing plate  
2 mm thick

mounting housing  
Harting Han 3A-agw  
for supply

torque support

Designation	Nominal Torque (Nm)	Nominal Speed (rpm)	Nominal Current (A)	Self-holding Torque (Nm)	Positioning Range (rot.)
<b>PSE 3410-14</b>	10	80	7.8	5	250

Designation	Nominal Torque (Nm)	Nominal Speed (rpm)	Nominal Current (A)	Self-holding Torque (Nm)	Positioning Range (rot.)
<b>PSE 3418-14</b>	18	60	7.8	9	250