

## Magnetic field sensors

Magnetic field sensors can be mounted by using the slot for the magnetic field sensor placed on the sides of the MCE/MSCE profile.

For the MCE/MSCE size of 25, mounting of the magnetic field sensor requires an HMG sensor holder.

**Protection Class:** IP67

**Ambient Temperature (°C):** -10 ~ +70

**Cable material length:** PUR, 150 mm

**Current consumption:** 6 mA @ 24 V DC max.

**Electrical connection:** M8, 3-pin

**Extension cable:** Energy chain compliant

**Function principle:** Magnetic

**LED indicator:** Green

**Max. Leakage Current (mA):** 0.01

**Max. Power Rating (W):** 6

**Max. Switching Current (mA):** 200

**Operating Voltage (V DC):** 5 ~ 30

**Sensor Type:** PNP current sourcing

**Shock/vibration:** 50 G / 9 G

**Switching Frequency (Hz):** 1000

**Switching function:** NC or NO

**Voltage drop:** 0.5 V @ 200 mA max.

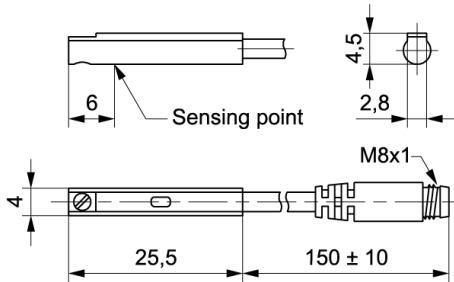
**Wiring method:** 3-wire type



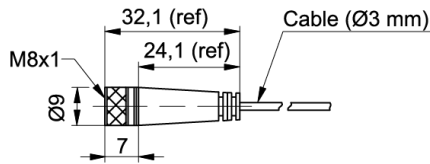


**General Data**

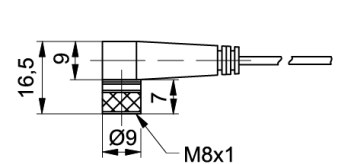
SMO-40TP-K



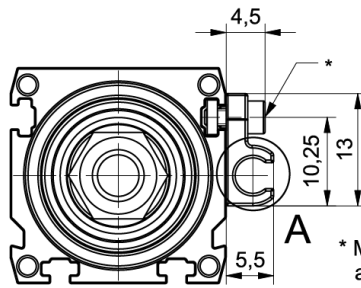
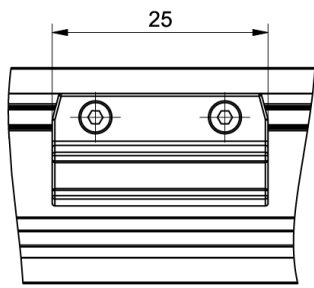
Straight connector



Angled connector



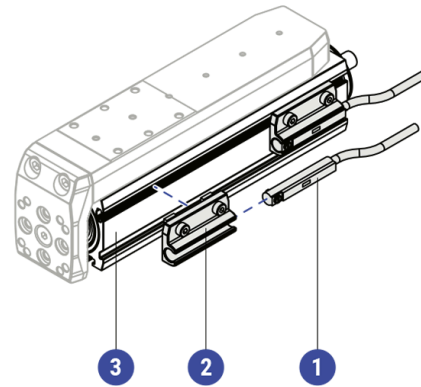
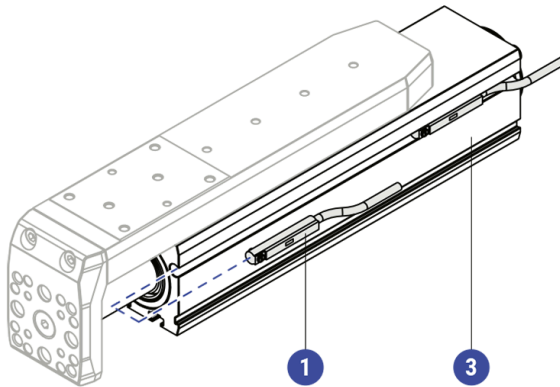
Sensor holder HMG 25



\* Mounting screws and nuts (2x)

MCE/MSCE 32, 45

MCE/MSCE 25



- 1 - Magnetic field sensor.
- 2 - Sensor holder HMG.
- 3 - Profile of the mini electric cylinder MCE or slider MSCE.

Designation	Description	Compatible with	Type	Material	Cable Length (m)
SMO-40TP-K NC - 109125	NC-normally close	MCE/MSCE series	Magnetic sensor	-	-
SMO-40TP-K NO - 12259	NO-normally open	MCE/MSCE series	Magnetic sensor	-	-
HMG 25 - 109101	-	MCE/MSCE 25	Sensor holder	Powder coated zinc alloy	-

Designation	Description	Compatible with	Type	Material	Cable Length (m)
<b>Cable - 8146</b>	-	SMO-40TP-K NC / SMO-40TP-K NO	Straight connector extension cable	-	2
<b>Cable - 8147</b>	-	SMO-40TP-K NC / SMO-40TP-K NO	Straight connector extension cable	-	5
<b>Cable - 9017</b>	-	SMO-40TP-K NC / SMO-40TP-K NO	Angled connector extension cable	-	2
<b>Cable - 9019</b>	-	SMO-40TP-K NC / SMO-40TP-K NO	Angled connector extension cable	-	5