

Trunnion mount MZK

Dimensions in mm.

Mounting screws are included.

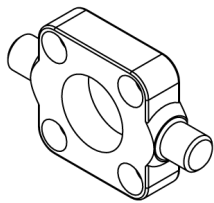
Material: Galvanized steel



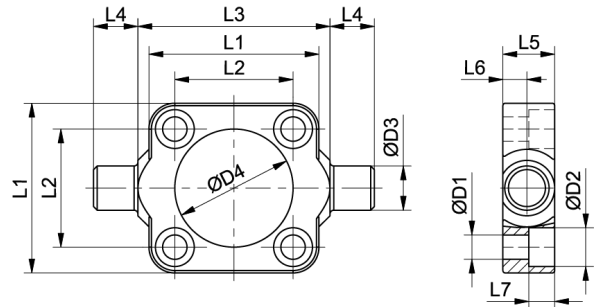
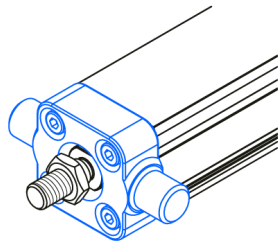
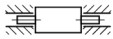
General Data

Designation	Description	Compatible with	Material	Fmax (N)	Mass (kg)
MZK 32 - 108230	MZK 32	MCE 32	Galvanized steel	F MCE	0.12
MZK 45 - 108231	MZK 45	MCE 45	Galvanized steel	F MCE	0.17

Dimensions



Simple support



Designation	L1	L2	L3	L4	L5	L6	L7	D1	D2
MZK 32 - 108230	35	22	38 (h14)	12 (h14)	14	6.5 (+0.3/0)	6 (±0.2)	5.5	10
MZK 45 - 108231	46	32	52 (h14)	12 (h14)	14	6.5 (+0.3/0)	7 (±0.2)	6.6	10.5

Designation	D3	D4
MZK 32 - 108230	12 (e9)	18
MZK 45 - 108231	12 (e9)	32