

## Swivel foot mounting MLG

Dimensions in mm.

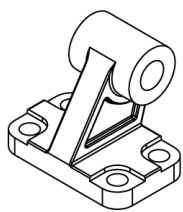
**Material:** Aluminium



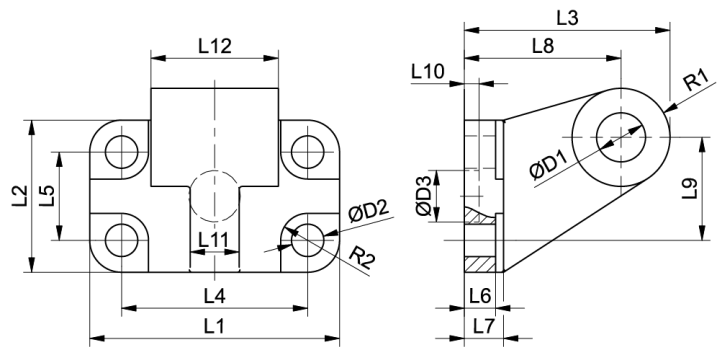
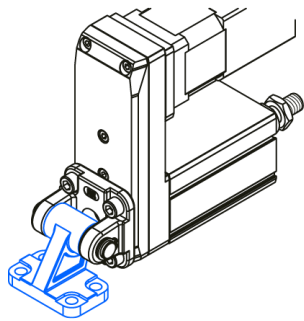
## General Data

Designation	Compatible with	Material	Fmax (N)	Mass (kg)
MLG 45 - 108233	MCE 45	Aluminium	F MCE	0.08

## Dimensions



Simple support



Designation	L1	L2	L3	L4	L5	L6	L7	L8	L9
MLG 45 - 108233	51	31	42	38	18	6.4	8	32	21

Designation	L10	L11	L12	D1	D2	D3	R1	R2
MLG 45 - 108233	3 (+0.5/0)	10	26	10 (H9)	6.6 (H13)	10.5 (+0.5/0)	10	5.5