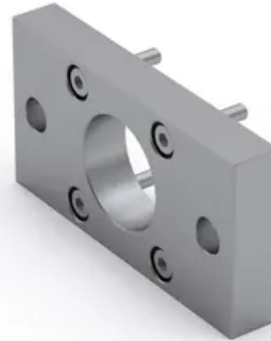


Flange mounting MAFL

Dimensions in mm.

Mounting screws are included.

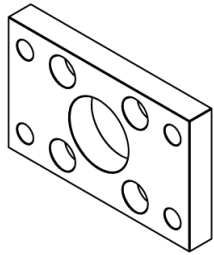
Material: Anodized aluminium



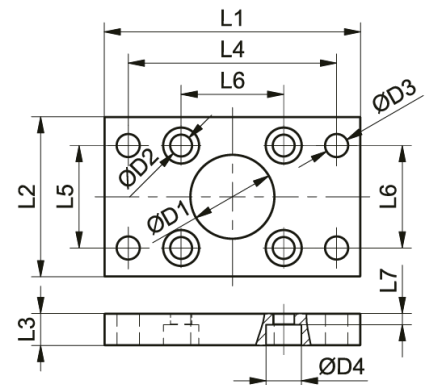
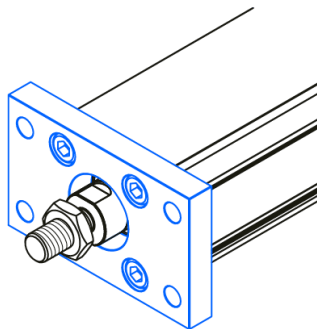
General Data

Designation	Description	Compatible with	Material	Fmax (N)	Mass (kg)
MAFL 25 - 108624	MAFL 25	MCE 25	Anodized aluminium	F MCE	0.03
MAFL 32 - 108625	MAFL 32	MCE 32	Anodized aluminium	F MCE	0.06
MAFL 45 - 108626	MAFL 45	MCE 45	Anodized aluminium	F MCE	0.11

Dimensions



Fixed support



Designation	L1	L2	L3	L4	L5	L6	L7	D1	D2
MAFL 25 - 108624	55	29	8	43	-	21	5.1	18	2.9
MAFL 32 - 108625	70	36	10	55	-	22	5.5	20	4.5
MAFL 45 - 108626	80	50	10	65	32	32	3.5	26	6.6

Designation	D3	D4
MAFL 25 - 108624	5.5	5.5
MAFL 32 - 108625	6.5	8
MAFL 45 - 108626	7	11